

Catalogus



Bouwman Hydrauliek B.V.

Zeesluizen 6 - 9936 HX Delfzijl

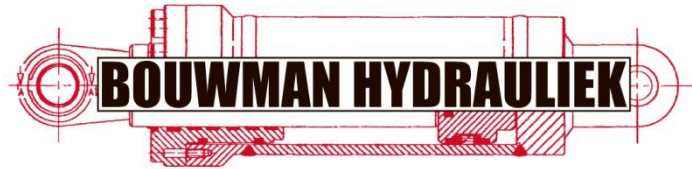
The Netherlands

T +31 (0)596 650 146

F +31 (0)596 650 247

Info@bouwman-hydrauliek.nl

www.bouwman-hydrauliek.nl



Krachtige oplossingen voeren u vanzelf naar Bouwman Hydrauliek!



Bouwman Hydrauliek B.V. is al meer dan 25 jaar actief met produceren van hydraulische cilinders, powerpacks, componenten en aanverwante producten. Onze specialisatie ligt bij het snel produceren en reviseren van hydraulische cilinders. Daarnaast staan we bekend om onze juiste prijs/kwaliteit verhouding.

Om naast een snelle levering een hoogwaardige kwaliteit te garanderen, hebben wij een standaard programma voor standaard onderdelen. Deze onderdelen worden vervaardigd op moderne hoogwaardige machines volgens onze eigen specificaties, zodat nalevering van passende onderdelen voor lange tijd gegarandeerd zijn. Alle speciale cilinders kunnen vervaardigd worden uit diverse materialen. Daarnaast kunnen ze worden voorzien van speciale afdichtingen en geleidingen.

Cilinders van Bouwman Hydrauliek kunnen op verschillende soorten systemen worden toegepast, waaronder,

- ✓ Bruggen en sluizen
- ✓ Bagger- en offshore toepassingen
- ✓ Industriële systemen, bijvoorbeeld machinebouw
- ✓ Mobiele systemen, bijvoorbeeld landbouw- en graafmachines

Bij al deze systemen ligt bij Bouwman Hydrauliek de nadruk op juiste rendement en lange levensduur. Om deze redenen bent u aan het juiste adres bij Bouwman Hydrauliek.

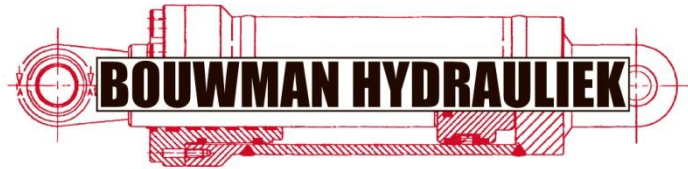
Alle speciale cilinders kunnen vervaardigd worden uit diverse materialen en voorzien worden van speciale afdichtingen en geleidingen. Materiaal waar een keuze uitgemaakt kan worden zijn:

- ✓ Hardverchroomd as
- ✓ Nikkelverchroomd as (40/20 en 60/40)
- ✓ RVS (AISI 431 of 304 en 316 verchroomd)
- ✓ Keramische coating en wolfram carbide
- ✓ Inductiegehard (42CrMo4V) 60/65rc
- ✓ DOM buis (st 52.3)
- ✓ NCB buis (E355+SR)
- ✓ WGW buis (S355J2H)

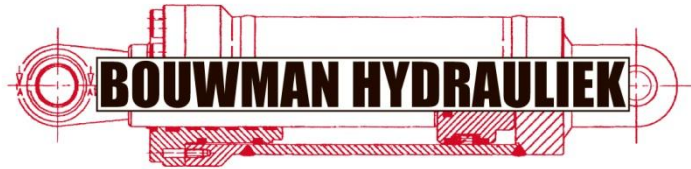
Tevens kunnen alle cilinders voorzien worden van meetsystemen, hydraulische componenten en keuringen (o.a. Lloyd's register, Bureau Veritas, Det Norske Veritas of Germanischer Lloyd)

Kunt u in deze catalogus geen oplossing vinden voor uw toepassing, onze verkoopafdeling adviseert u graag bij het selecteren van de juiste onderdelen voor uw toepassing

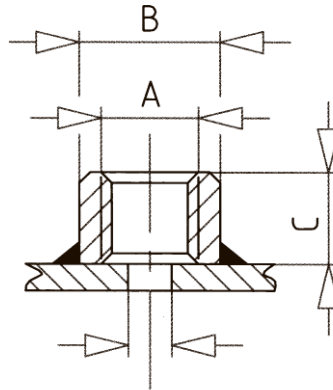
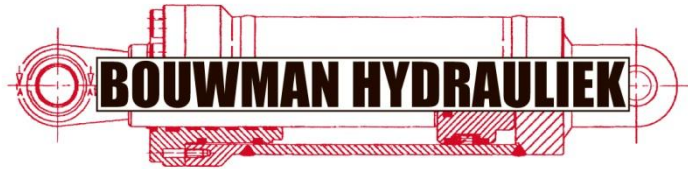




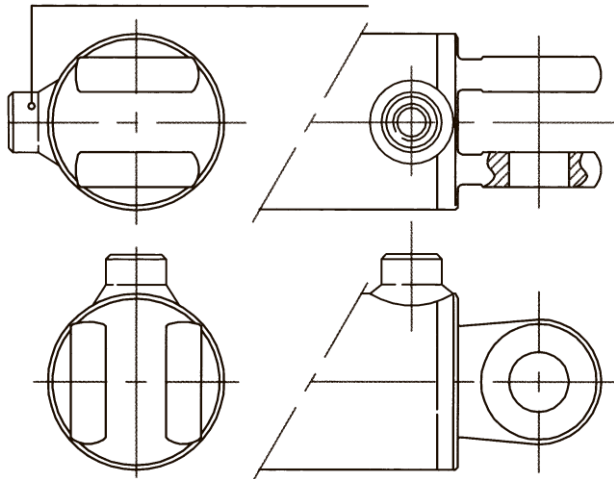
Type	Zuiger diam.	Stang diam.	Afmetingen dubbelwerkende cilinders in mm.							in cm ²	
			A	B	C	D	E	F	G	Zuiger	Ring
D30/16	30	15	100	10	35	16	1/4" G	40	56	7.06	5.30
D40/20	40	20	120	12	44	20	1/4" G	50	66	12.56	9.42
D40/25		25									7.65
D50/25	50	25	130	12	48	20	3/8" G	60	77	19.63	14.72
D50/30		30									12.56
D60/25	60	25	150	15	58	25	1/2" G	70	88	28.27	23.36
D60/30		30									21.20
D60/35		35									18.65
D60/40		40									15.70
D70/30	70	30	165	15	67	25	1/2" G	80	98	38.48	31.41
D70/35		35									28.66
D70/40		40									25.91
D70/50		50									18.84
D80/30	80	30	180	17	75	27	1/2" G	95	108	50.26	43.19
D80/40		40									37.69
D80/50		50									30.63
D80/60		60									21.99



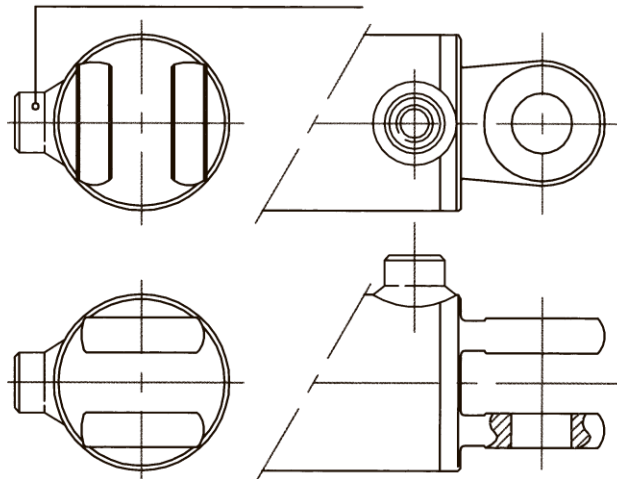
Type	Zuiger diam.	Stang diam.	Afmetingen dubbelwerkende cilinders in mm.							in cm ²	
			A	B	C	D	E	F	G	Zuiger	Ring
<i>D90/40</i>	90	40	185	17	74	30	1/2" G	105	123	63.61	51.05
<i>D90/50</i>		50									43.98
<i>D90/60</i>		60									35.34
<i>D100/50</i>	100	50	190	22	84	24	1/2" G	115	133	78.53	58.90
<i>D100/60</i>		60									50.26
<i>D100/70</i>		70									40.05
<i>D110/60</i>	110	60	195	22	84	25	3/4" G	130	150	95.03	66.75
<i>D110/70</i>		70									56.54
<i>D120/70</i>	120	70	210	22	93	26	3/4" G	140	160	113.09	74.61
<i>D120/80</i>		80									62.83
<i>D125/70</i>	125	70	210	25	95	26	3/4" G	145	165	122.65	84.19
<i>D140/80</i>	140	80	231	30	101	28	3/4" G	160	180	153.93	103.67
<i>D160/80</i>	160	80	260	30	115	35	1" G	180	206	201.06	137.44
<i>D160/90</i>		90									122.52
<i>D180/100</i>	180	100	290	35	125	40	1" G	200	226	254.46	175.92
<i>D200/120</i>	200	120	307	35	137	45	1" G	225	251	314.15	201.06



OLIEAANSLUITING: A



OLIEAANSLUITING: B



A

B

C

1/4 BSP

22

16

3/8 BSP

26

17

1/2 BSP

30

18

3/4 BSP

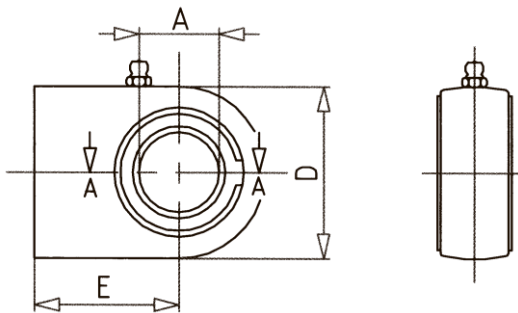
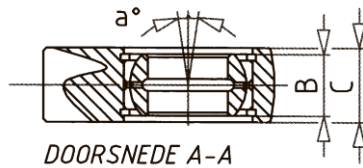
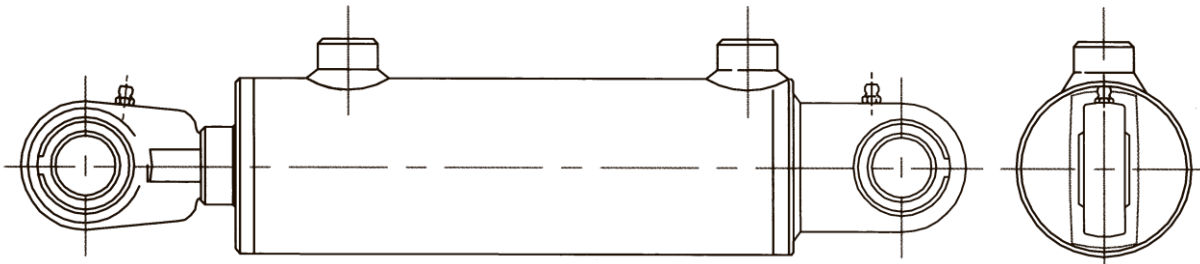
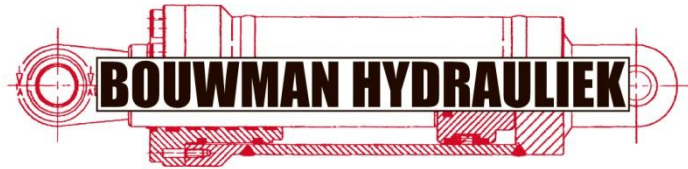
38

20

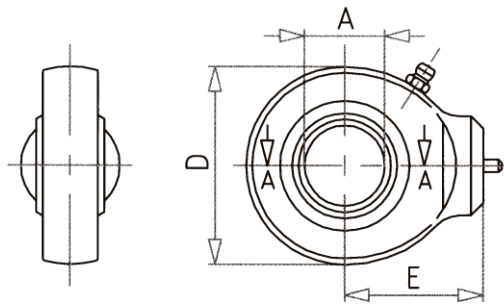
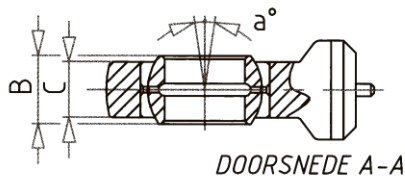
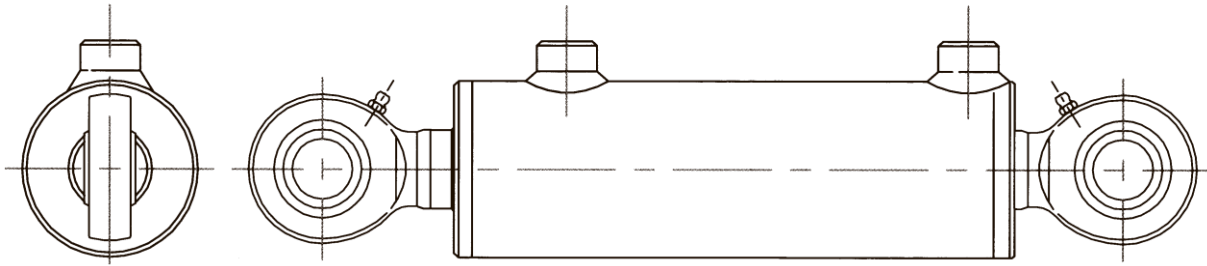
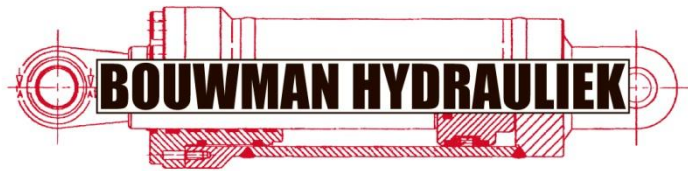
1 BSP

45

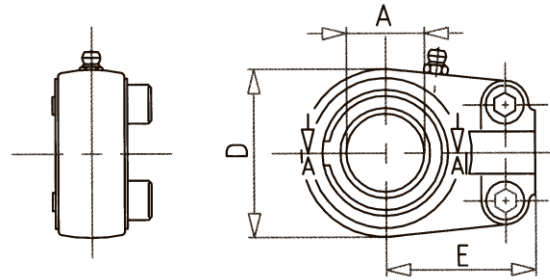
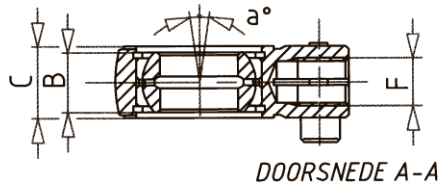
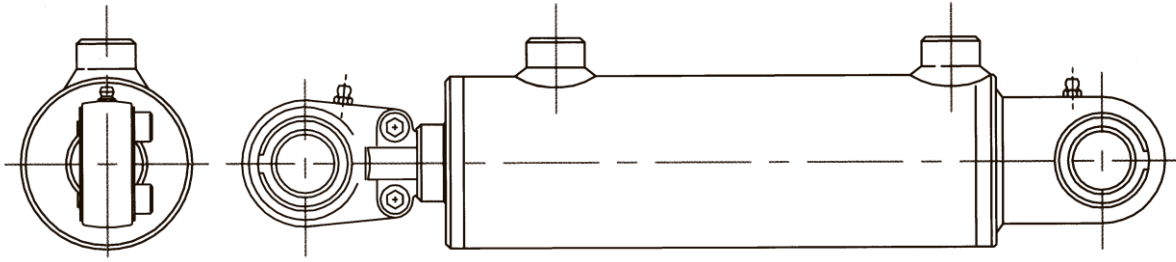
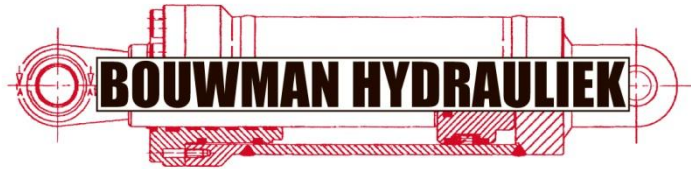
26



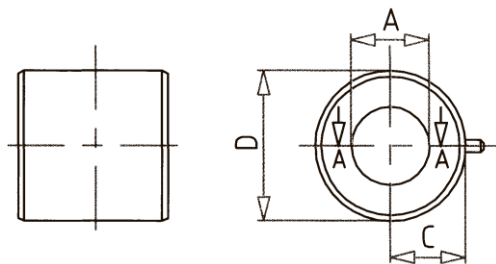
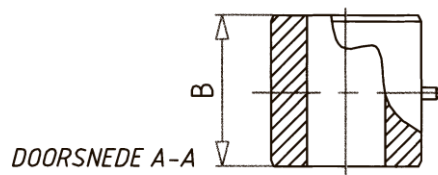
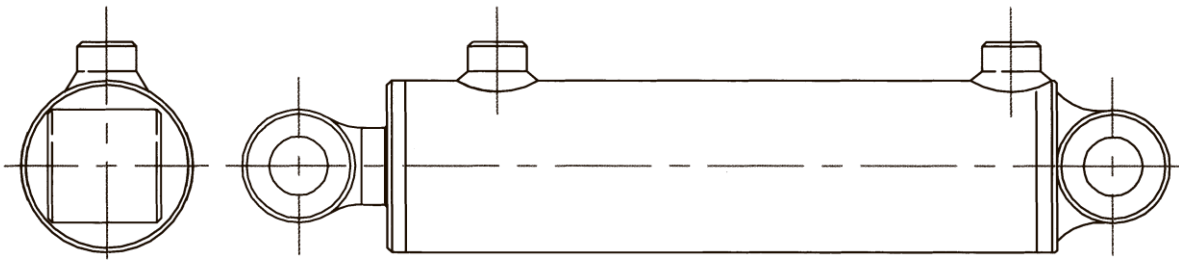
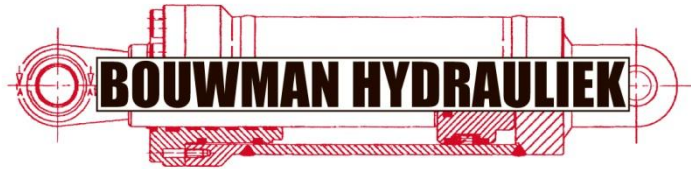
Type	A	B	C	D	E	a
TS20N	20	16 -0.12	19	50	38	9°
TS25N	25	20 -0.12	23	55	45	7°
TS30N	30	22 -0.12	28	65	51	6°
TS35N	35	25 -0.12	30	83	61	6°
TS40N	40	28 -0.12	35	100	69	7°
TS45N	45	32 -0.12	40	110	77	7°
TS50N	50	35 -0.12	40	123	88	6°
TS60N	60	44 -0.15	50	140	100	6°
TS70N	70	49 -0.15	55	164	115	6°
TS80N	80	16 -0.15	60	180	141	6°
TS90N	90	16 -0.20	65	226	150	5°
TS100N	100	16 -0.20	70	250	170	7°
TS110N	110	16 -0.20	80	295	185	6°
TS120N	120	16 -0.20	90	360	210	6°



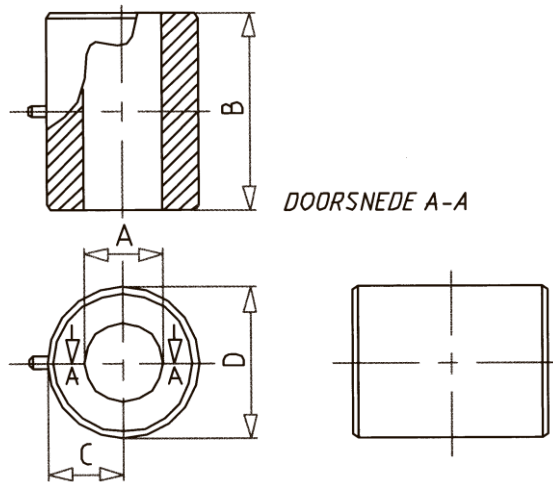
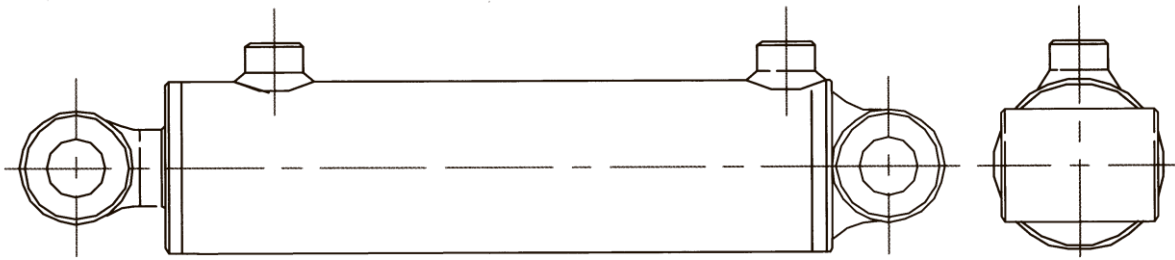
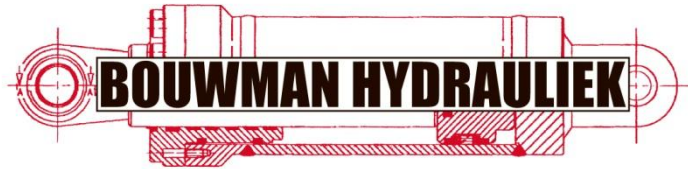
Type	A	B	C	D	E	a
TS15C	15	12 -0.12	10	40	31	8°
TS20C	20	16 -0.12	13	53	38	9°
TS25C	25	20 -0.12	17	64	45	7°
TS30C	30	22 -0.12	19	73	51	6°
TS35C	35	25 -0.12	21	82	61	6°
TS40C	40	28 -0.12	23	92	69	7°
TS45C	45	32 -0.12	27	102	77	7°
TS50C	50	35 -0.12	30	112	88	6°
TS60C	60	44 -0.15	38	135	100	6°
TS70C	70	49 -0.15	42	160	115	6°
TS80C	80	55 -0.15	47	180	141	6°



Type	A	B	C	D	E	F	a
TAPR20U/N	20	16 -0.12	19	56	50	M16x1.5	9°
TAPR25U/N	25	20 -0.12	23	56	50	M16x1.5	7°
TAPR30U/N	30	22 -0.12	28	64	60	M22x1.5	6°
TAPR35U/N	35	25 -0.12	30	78	70	M28x1.5	6°
TAPR40U/N	40	28 -0.12	35	94	85	M35x1.5	7°
TAPR50U/N	50	35 -0.12	40	116	105	M45x1.5	6°
TAPR60U/N	60	44 -0.15	50	130	130	M58x1.5	6°
TAPR70U/N	70	49 -0.15	55	154	150	M65x1.5	6°
TAPR80U/N	80	55 -0.15	60	176	170	M80x2	6°
TAPR90U/N	90	60 -0.20	65	206	210	M100x2	5°
TAPR100U/N	100	70 -0.20	70	231	235	M110x2	7°
TAPR110U/N	110	70 -0.20	80	265	265	M120x3	6°
TAPR120U/N	120	85 -0.20	90	340	310	M130x3	6°

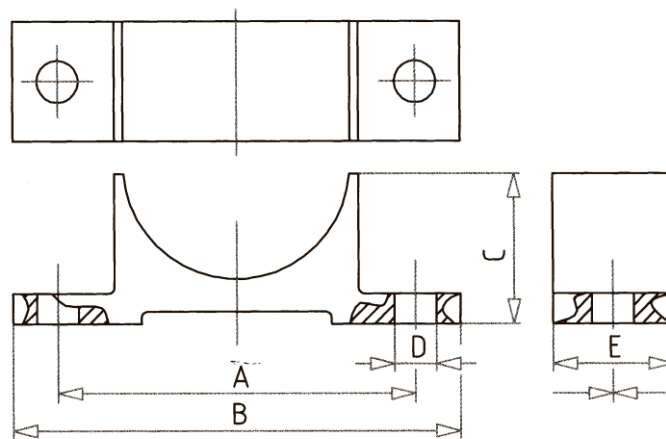
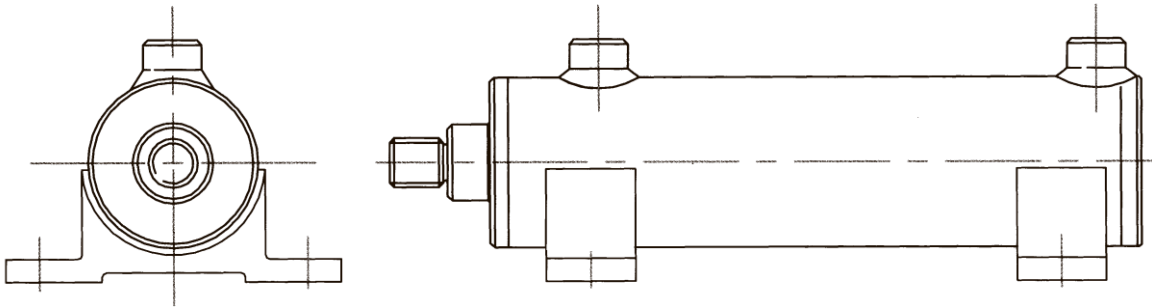
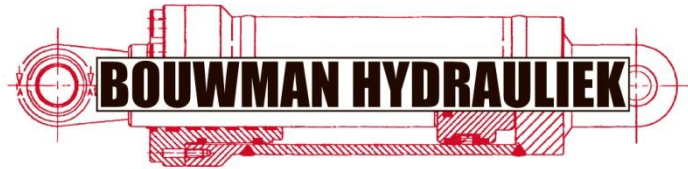


Type	A	B	C	D
SO16	16.20	30	17.5	35
SO20	20.25	40	20	40
SO25	25.25	50	25	50
SO30	30.25	60	30	60
SO40	40.25	70	35	70



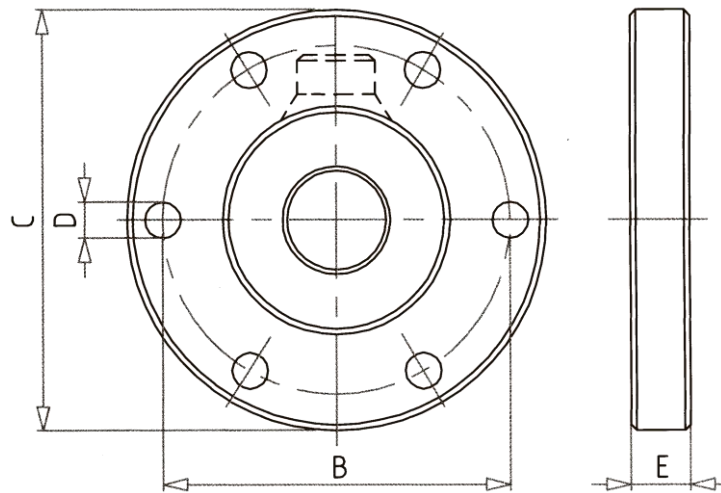
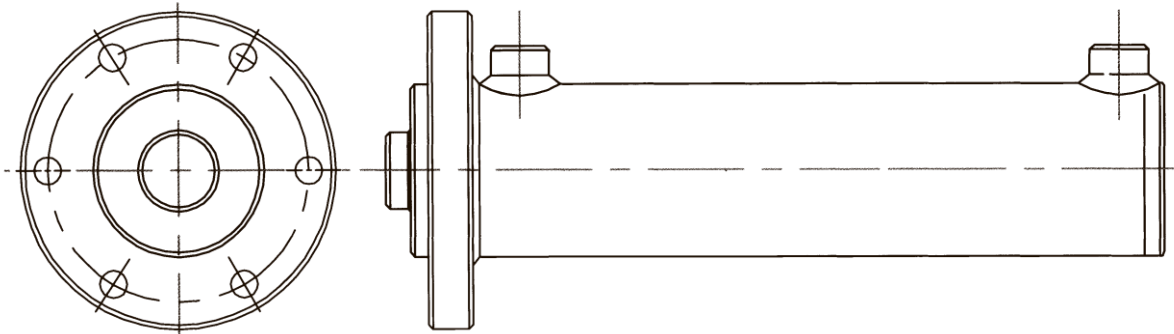
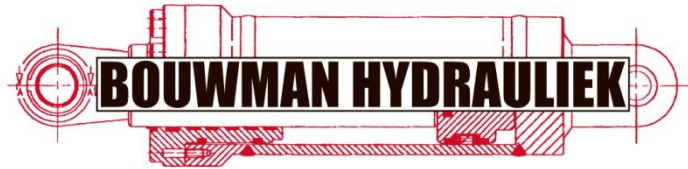
DOORSNEDE A-A

Type	A	B	C	D
CO16	16.20	60	17.5	35
CO20	20.25	70	20	40
CO25	25.25	90	25	50
CO30	30.25	110	30	60
CO40	40.25	130	35	70

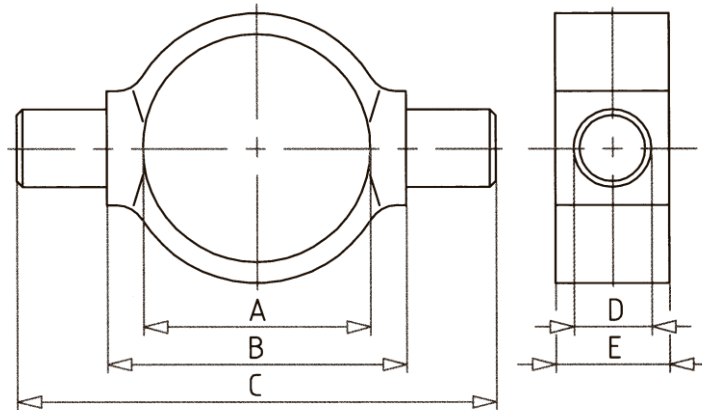
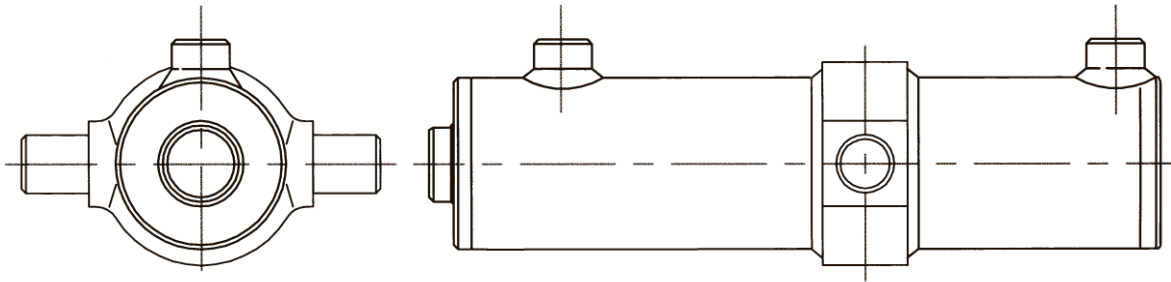
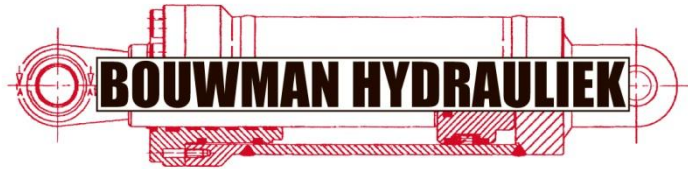


Type		A	B	C	D	E
------	--	---	---	---	---	---

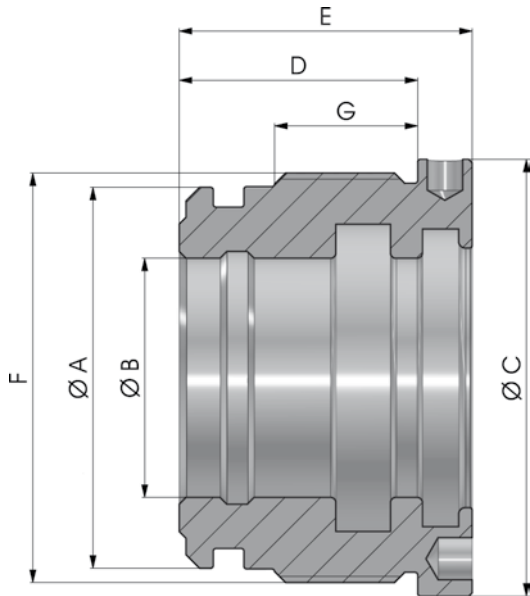
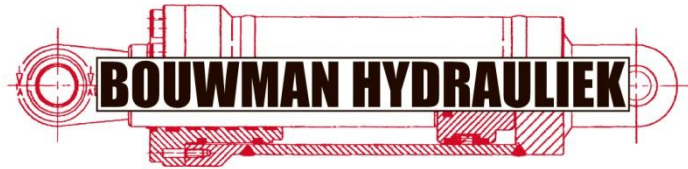
CC40	50	95	120	40	13	35
CC50	60	105	130	45	13	35
CC60	70	120	150	50	15	40
CC70	80	130	160	55	15	40
CC80	90	150	185	65	19	50
CC90	105	165	195	70	19	50
CC100	115	175	210	75	21	50
CC110	130	190	230	80	21	50
CC120	140	210	245	85	23	60
CC140	160	235	280	95	25	60



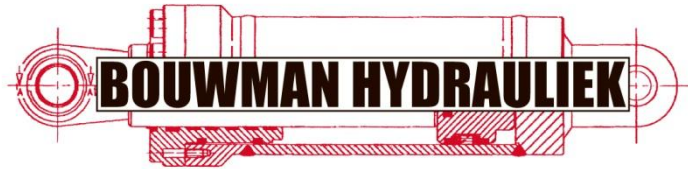
Type	A	B	C	D	E
CF40	50	87	109	4x 11	12
CF50	60	105	128	4 x 15	12
CF60	70	117	142	4 x 13	16
CF70	80	127	162	4 x 15	16
CF80	90	149	181	6 x 17	18
CF90	105	155	185	6 x 17	18
CF100	115	162	194	6 x 17	24



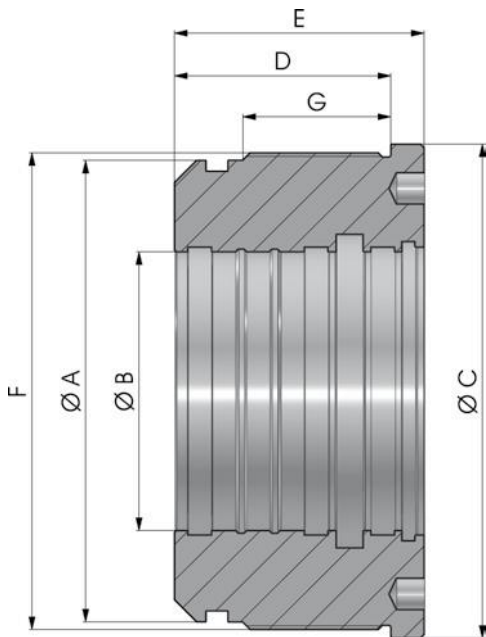
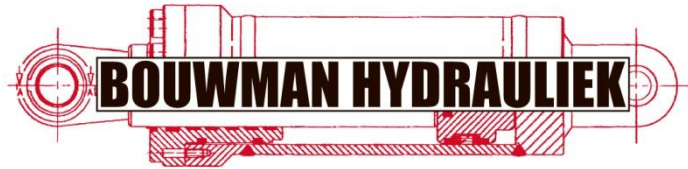
Type	A	B	C	D	E
CT40	50	60	110	20	30
CT50	60	70	120	20	30
CT60	70	80	160	25	35
CT70	80	100	180	30	40
CT80	90	110	190	35	50
CF90	105	125	210	35	50
CT100	115	145	220	40	60
CT110	130	160	240	40	60
CT120	140	170	260	50	70
CT140	160	195	295	50	70



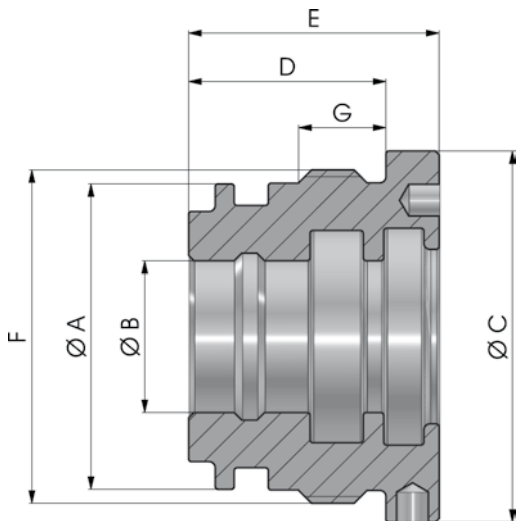
NEW COD.	A	B	C	D	E	f	G
NBT003502516*	25	16	35	12	30	M28X1.5	12
NBT004003016*	30	16	40	27	33	M34X1.5	15
• NBT004003016G	30	16	40	27	33	M34X1.5	15
NBT004203216	32	16	42	27	33	M36X1.5	15
NBT004203220	32	20	42	27	33	M36X1.5	15
NBT004503520	35	20	44	32	40	M39X1.5	19
NBT004503522	35	22	44	32	40	M39X1.5	19
NBT005004020	40	20	49	32	40	M44X1.5	19
NBT005004022	40	22	49	32	40	M44X1.5	19
NBT005004025	40	25	49	32	40	M44X1.5	19
NBT005004028	40	28	49	32	40	M44X1.5	19
NBT005504520	45	20	54	32	40	M49X1.5	19
NBT005504522	45	22	54	32	40	M49X1.5	19
NBT005504525	45	25	54	32	40	M49X1.5	19
NBT006005020	50	20	59	35	43	M54X1.5	22
NBT006005025	50	25	59	35	43	M54X1.5	22
NBT006005028	50	28	59	35	43	M54X1.5	22
NBT006005030	50	30	59	35	43	M54X1.5	22
NBT006005032	50	32	59	35	43	M54X1.5	22
NBT006005035	50	35	59	35	43	M54X1.5	22
NBT006505525	55	25	64	35	43	M60X1.5	21
NBT006505530	55	30	64	35	43	M60X1.5	21
NBT006505535	55	35	64	35	43	M60X1.5	21
NBT007006025	60	25	69	40	50	M64X1.5	27
NBT007006028	60	28	69	40	50	M64X1.5	27
NBT007006030	60	30	69	40	50	M64X1.5	27
NBT007006032	60	32	69	40	50	M64X1.5	27
NBT007006035	60	35	69	40	50	M64X1.5	27
NBT007006036	60	36	69	40	50	M64X1.5	27
NBT007006040	60	40	69	40	50	M64X1.5	27
NBT007306330	63	30	73	40	50	M68X1.5	25
NBT007306332	63	32	73	40	50	M68X1.5	25
NBT007306335	63	35	73	40	50	M68X1.5	25
NBT007306336	63	36	73	40	50	M68X1.5	25
NBT007306340	63	40	73	40	50	M68X1.5	25
NBT007506530	65	30	74	40	50	M69X1.5	25
NBT007506532	65	32	74	40	50	M69X1.5	25
NBT007506535	65	35	74	40	50	M69X1.5	25
NBT007506536	65	36	74	40	50	M69X1.5	25
NBT007506540	65	40	74	40	50	M69X1.5	25
NBT007506545	65	45	74	40	50	M69X1.5	25
NBT008007025	70	25	79	40	50	M74X1.5	27
NBT008007030	70	30	79	40	50	M74X1.5	27
NBT008007032	70	32	79	40	50	M74X1.5	27
NBT008007035	70	35	79	40	50	M74X1.5	27
NBT008007036	70	36	79	40	50	M74X1.5	27
NBT008007040	70	40	79	40	50	M74X1.5	27
NBT008007045	70	45	79	40	50	M74X1.5	27
NBT008007050	70	50	79	40	50	M74X1.5	27
NBT009007530	75	30	89	50	60	M80X2	33
NBT009007535	75	35	89	50	60	M80X2	33
NBT009007540	75	40	89	50	60	M80X2	33
NBT009007545	75	45	89	50	60	M80X2	33
• NBT009008030	80	30	89	50	60	M84x1.5	33
• NBT009008035	80	35	89	50	60	M84x1.5	33
• NBT009008040	80	40	89	50	60	M84x1.5	33



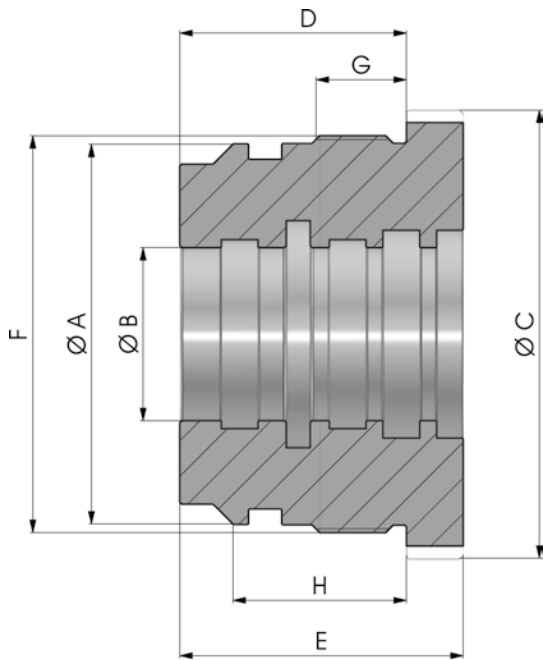
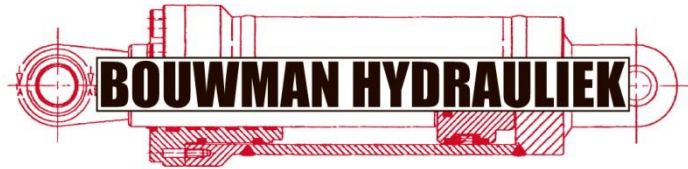
NEW COD.	A	B	C	D	E	f	G
• NBT009008045	80	45	89	50	60	M84x1.5	33
• NBT009008050	80	50	89	50	60	M84x1.5	33
NBT009208035	80	35	92	50	60	M85X2	33
NBT009208040	80	40	92	50	60	M85X2	33
NBT009208045	80	45	92	50	60	M85X2	33
NBT009208050	80	50	92	50	60	M85X2	33
NBT009208055	80	55	92	50	60	M85X2	33
NBT009208056	80	56	92	50	60	M85X2	33
NBT009208060	80	60	92	50	60	M85X2	33
NBT009508030	80	30	94	50	60	M85X2	33
NBT009508035	80	35	94	50	60	M85X2	33
NBT009508040	80	40	94	50	60	M85X2	33
NBT009508045	80	45	94	50	60	M85X2	33
NBT009508050	80	50	94	50	60	M85X2	33
NBT009508055	80	55	94	50	60	M85X2	33
NBT009508056	80	56	94	50	60	M85X2	33
NBT009508060	80	60	94	50	60	M85X2	33
NBT010008535	85	35	99	50	60	M90X2	33
NBT010008540	85	40	99	50	60	M90X2	33
NBT010008545	85	45	99	50	60	M90X2	33
NBT010008550	85	50	99	50	60	M90X2	33
NBT010509040	90	40	104	50	60	M95X2	33
NBT010509045	90	45	104	50	60	M95X2	33
NBT010509050	90	50	104	50	60	M95X2	33
NBT010509060	90	60	104	50	60	M95X2	33
NBT011510040	100	40	114	70	82	M105X2	51
NBT011510045	100	45	114	70	82	M105X2	51
NBT011510050	100	50	114	70	82	M105X2	51
NBT011510055	100	55	114	70	82	M105X2	51
NBT011510056	100	56	114	70	82	M105X2	51
NBT011510060	100	60	114	70	82	M105X2	51
NBT011510063	100	63	114	70	82	M105X2	51
NBT011510070	100	70	114	70	82	M105X2	51
NBT012511045	110	45	124	60	72	M115X2	41
NBT012511050	110	50	124	60	72	M115X2	41
NBT012511060	110	60	124	70	82	M115X2	51
NBT012511070	110	70	124	70	82	M115X2	51
NBT014012050	120	50	139	70	82	M125X2	49
NBT014012060	120	60	139	70	82	M125X2	49
NBT014012070	120	70	139	70	82	M125X2	49
NBT014012080	120	80	139	70	82	M125X2	49
NBT014512555	125	55	144	80	92	M130X2	59
NBT014512560	125	60	144	80	92	M130X2	59
NBT014512563	125	63	144	80	92	M130X2	59
NBT014512570	125	70	144	80	92	M130X2	59
NBT014512580	125	80	144	80	92	M130X2	59
NBT014512590	125	90	144	80	92	M130X2	59
NBT016014070	140	70	159	80	92	M145X2	59
NBT016014080	140	80	159	80	92	M145X2	59
NBT016014090	140	90	159	80	92	M145X2	59
NBT017015070	150	70	169	90	102	M155X2	69
NBT017015080	150	80	169	90	102	M155X2	69
NBT018016080	160	80	179	90	102	M165X2	69
NBT018016090	160	90	179	90	102	M165X2	69
NBT180160110	160	110	179	90	102	M165X2	69



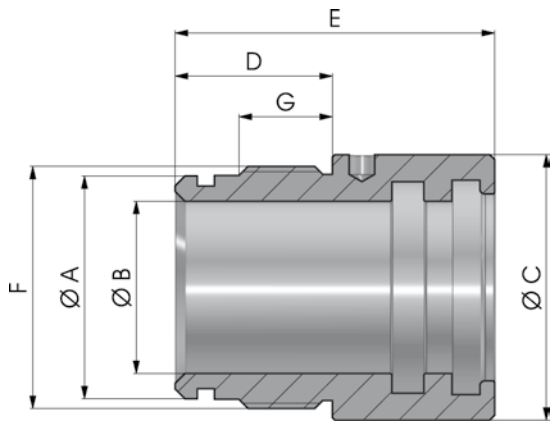
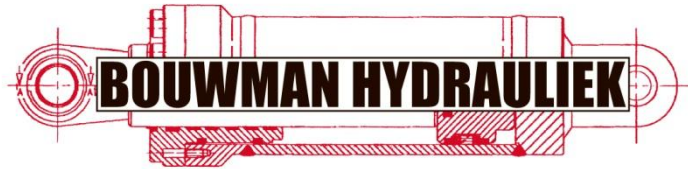
COD.	A	B	C	D	E	f	G
NBT210180100	180	100	209	92	110	M188X2.5	58
NBT210180120	180	120	209	92	110	M188X2.5	58
NBT220200090	200	90	219	92	110	M208X2.5	58
NBT220200100	200	100	219	92	110	M208X2.5	58
NBT220200120	200	120	219	92	110	M208X2.5	58
NBT250220100	220	100	250	104	122	M228X2.5	70
NBT250220120	220	120	250	104	122	M228X2.5	70
NBT250220150	220	150	250	104	122	M228X2.5	70
NBT250220160	220	160	250	104	122	M228X2.5	70
NBT270250120	250	120	268	117	135	M258X2.5	80
NBT270250150	250	150	268	117	135	M258X2.5	80



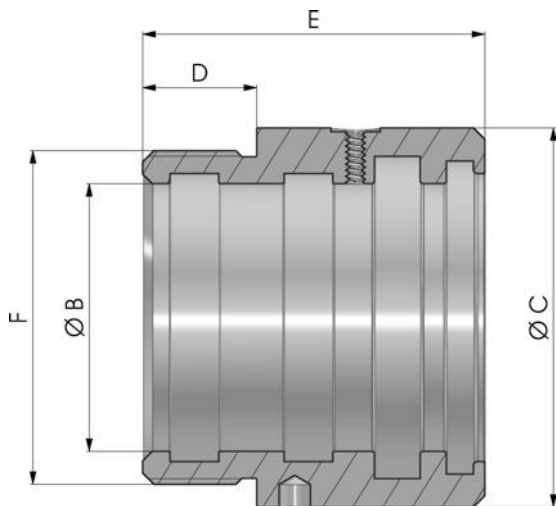
COD.	A	B	C	D	E	f	G
NBTB005004020	40	20	49	26	33	M44X1.5	11
NBTB005004025	40	25	49	26	33	M44X1.5	11
NBTB006005025	50	25	59	28	36	M54X1.5	13
NBTB006005030	50	30	59	28	36	M54X1.5	13
NBTB007006025	60	25	69	33	41	M64X1.5	16
NBTB007006030	60	30	69	33	41	M64X1.5	16
NBTB007006032	60	32	69	33	41	M64X1.5	16
NBTB007006035	60	35	69	33	41	M64X1.5	16
NBTB008007035	70	35	79	33	41	M74X1.5	16
NBTB008007040	70	40	79	33	41	M74X1.5	16
NBTB009208040	80	40	92	36	46	M85X2	18
NBTB009208050	80	50	92	36	46	M85X2	18
NBTB011510050	100	50	114	45	55	M105X2	22
NBTB011510060	100	60	114	45	55	M105X2	22



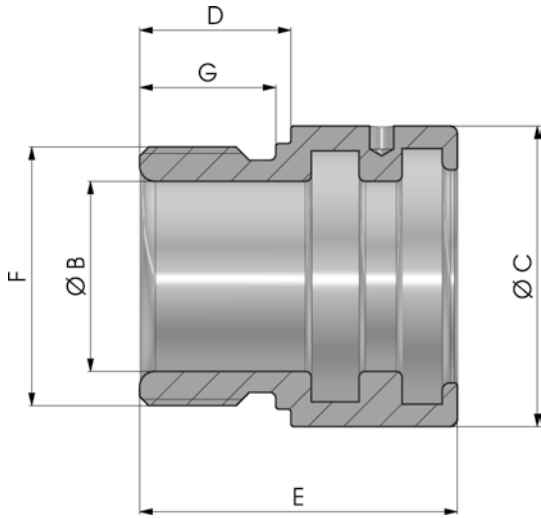
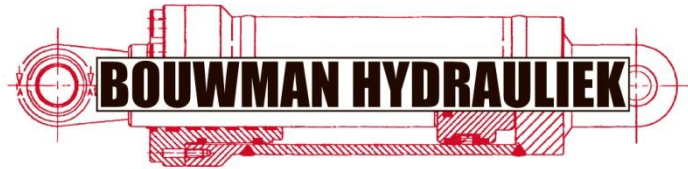
NEW COD.	A	B	C	D	E	f	G	h
NBTP065050025	50	25	64	45	55	M54X1.5	22	38
NBTP065050030	50	30	64	45	55	M54X1.5	22	38
NBTP065050035	50	35	64	45	55	M54X1.5	22	38
NBTP075060030	60	30	74	48	60	M64X1.5	22	38
NBTP075060035	60	35	74	48	60	M64X1.5	22	38
NBTP075060040	60	40	74	48	60	M64X1.5	22	38
NBTP078063035	63	35	78	50	65	M68X1.5	22	40
NBTP078063040	63	40	78	50	65	M68X1.5	22	40
NBTP078063045	63	45	78	50	65	M68X1.5	22	40
NBTP085070040	70	40	84	50	65	M74X1.5	22	40
NBTP085070050	70	50	84	50	65	M74X1.5	22	40
NBTP100080045	80	45	94	60	75	M85X2	25	43
NBTP100080050	80	50	95	60	75	M85X2	25	43
• NBTP110090040	90	40	109	60	75	M95X2	25	46
NBTP110090045	90	45	109	60	75	M95X2	25	46
NBTP110090050	90	50	109	60	75	M95X2	25	46
NBTP110090060	90	60	109	60	75	M95X2	25	46
NBTP120100045	100	45	119	60	75	M105X2	25	46
NBTP120100050	100	50	119	60	75	M105X2	25	46
NBTP120100056	100	56	119	60	75	M105X2	25	46
NBTP120100060	100	60	119	60	75	M105X2	25	46
NBTP120100063	100	63	119	60	75	M105X2	25	46
NBTP130110050	110	50	129	70	85	M115X2	31	52
NBTP130110056	110	56	129	70	85	M115X2	31	52
NBTP130110060	110	60	129	70	85	M115X2	31	52
NBTP130110063	110	63	129	70	85	M115X2	31	52
NBTP140120060	120	60	139	70	85	M125X2	31	52
NBTP140120070	120	70	139	70	85	M125X2	31	52
NBTP140120080	120	80	139	70	85	M125X2	31	52
NBTP145125050	125	50	144	75	90	M130X2	39	60
• NBTP145125060	125	60	144	75	90	M130X2	39	60
NBTP145125070	125	70	144	75	90	M130X2	39	60
NBTP145125080	125	80	144	75	90	M130X2	39	60
• NBTP145125090	125	90	144	75	90	M130X2	39	60
NBTP160140080	140	80	159	75	90	M145X2	40	61
NBTP160140090	140	90	159	75	90	M145X2	40	61
NBTP160140100	140	100	159	75	90	M145X2	40	61
NBTP170150080	150	80	169	85	100	M155X2	46	68
NBTP170150090	150	90	169	85	100	M155X2	46	68
NBTP170150100	150	100	169	85	100	M155X2	46	68
NBTP180160090	160	90	179	85	100	M165X2	46	68
NBTP180160100	160	100	179	85	100	M165X2	46	68
NBTP180160120	160	120	179	85	100	M165X2	46	68



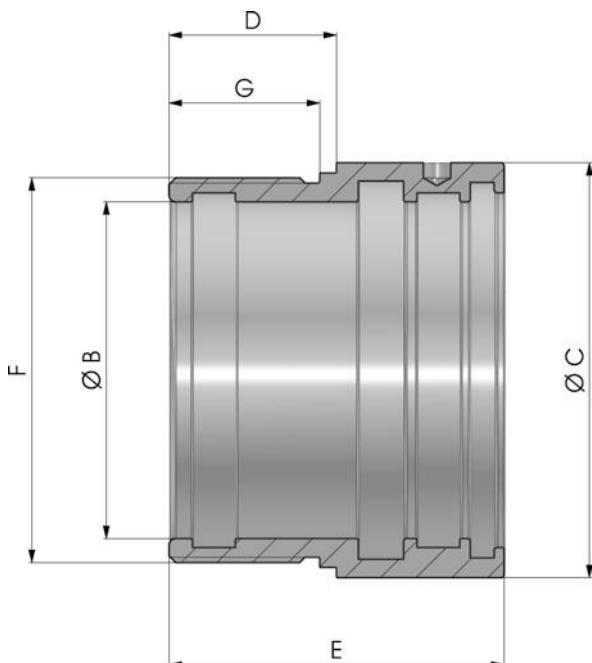
COD.	A	B	C	D	E	f	G
NBTT00200300	30	20	40	27	57	M34X1.5	15
NBTT00250350	35	25	45	32	65	M39X1.5	19
NBTT00300400	40	30	50	32	65	M44X1.5	19
NBTT00350450	45	35	55	32	65	M49X1.5	19
NBTT00400500	50	40	60	35	70	M54X1.5	22
NBTT00450550	55	45	65	35	70	M60X1.5	22
NBTT00500600	60	50	70	40	75	M64X1.5	22
NBTT00600700	70	60	80	40	75	M74X1.5	27



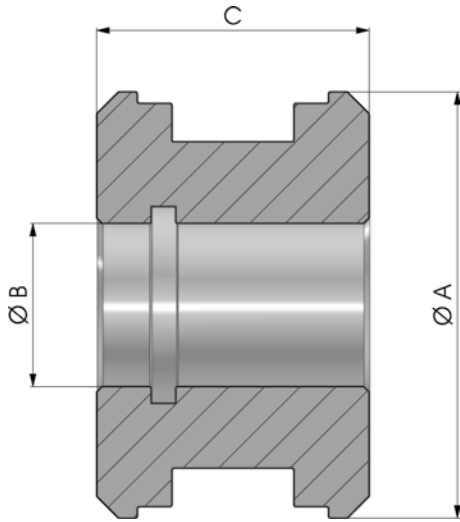
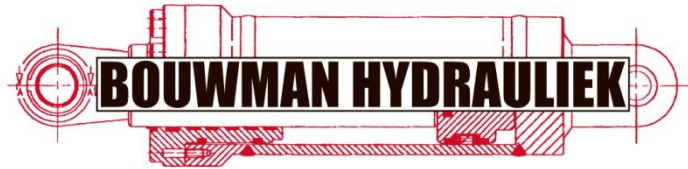
COD.	B	C	D	E	f
NBTT00700900*	70	100	30	90	M90X2
NBTT00800960*	80	107	40	95	M96X2
NBTT01001240*	100	138,5	42	157	M124X2



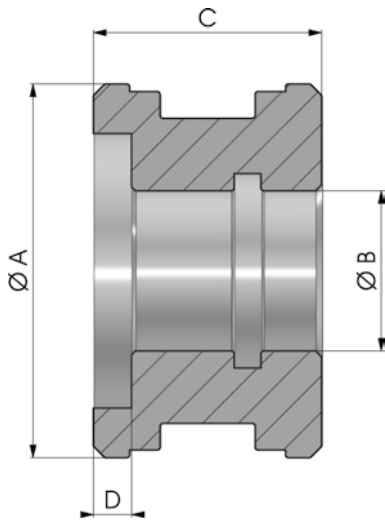
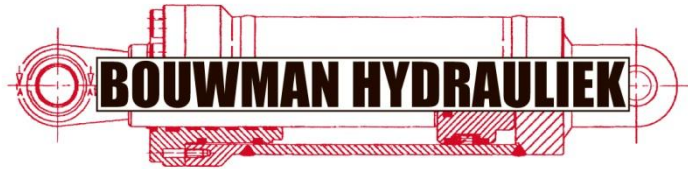
COD.	B	C	D	E	f	G
NBTTh0200300	20	40	20	42	M34X1.5	18
NBTTh0250300	25	40	20	42	M34X1.5	18
NBTTh0300400	30	50	21	46	M44X1.5	19
NBTTh0350400	35	50	21	46	M44X1.5	19
NBTTh0400500	40	60	30	59	M54X1.5	28
NBTTh0450500	45	60	30	59	M54X1.5	28
NBTTh0500600	50	70	30	60	M64X1.5	28
NBTTh0600700	60	80	30	60	M74X1.5	28



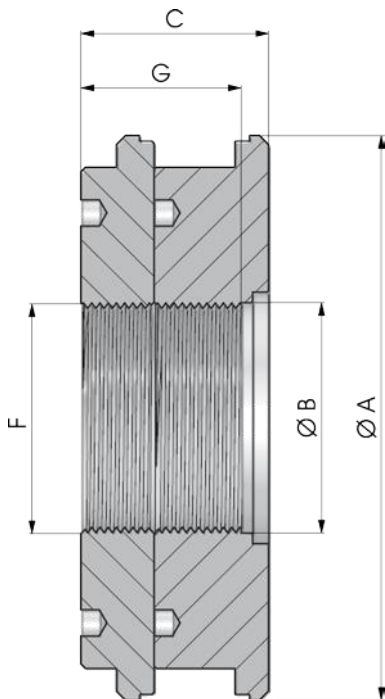
COD.	B	C	D	E	f	G
NBTTh0700800*	70	94	35	70	M85X2	32
NBTTh0800900*	80	104	40	80	M95X2	36
NBTTh9001000*	90	114	40	80	M105X2	36
NBTTh1001100*	100	124	50	100	M115X2	45



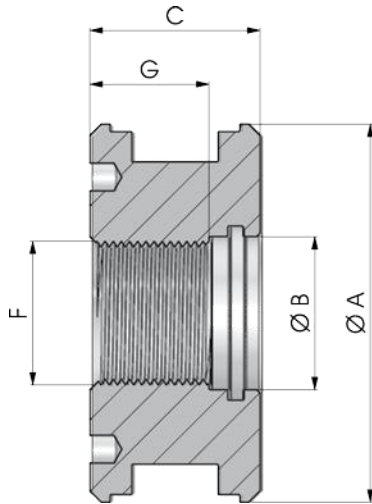
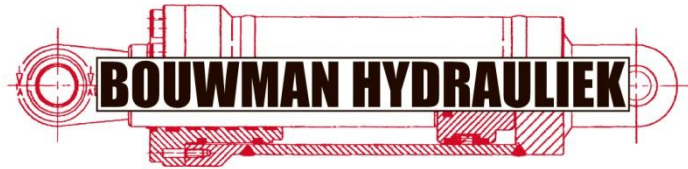
COD.	A	B	C
NBP000030013	30	13	25
NBP000032013	32	13	30
NBP000032015	32	15	30
NBP000035015	35	15	40
NBP000040015	40	15	40
NBP000045015	45	15	40
NBP000050015	50	15	40
NBP000050020	50	20	40
NBP000050025	50	25	40
NBP000055020	55	20	40
NBP000060020	60	20	50
NBP000060024	60	24	45
NBP000060024h50	60	24	50
NBP000060027	60	27	50
NBP000063020	63	20	50
NBP000063024	63	24	45
NBP000063024h50	63	24	50
NBP000063027	63	27	50
NBP000065020	65	20	50
NBP000065024	65	24	45
NBP000065024h50	65	24	50
NBP000065027	65	27	50
NBP000070020	70	20	50
NBP000070024	70	24	45
NBP000070024h50	70	24	50
NBP000070027	70	27	50
NBP000075024	75	24	45
NBP000075024h50	75	24	50
NBP000075027	75	27	50
NBP000080024	80	24	45
NBP000080024h50	80	24	50
NBP000080027	80	27	50
NBP000080030	80	30	50
NBP000085024	85	24	45
NBP000085024h50	80	24	50
NBP000085027	85	27	50
NBP000090027	90	27	50
NBP000090033	90	33	50
NBP000100027	100	27	50
NBP000100033	100	33	50
NBP000110033	110	33	50
NBP000110040	110	40	50
NBP000120040	120	40	50
NBP000125040	125	40	50
NBP000140040	140	40	58
NBP000150040	150	40	58
NBP000160051	160	51	58



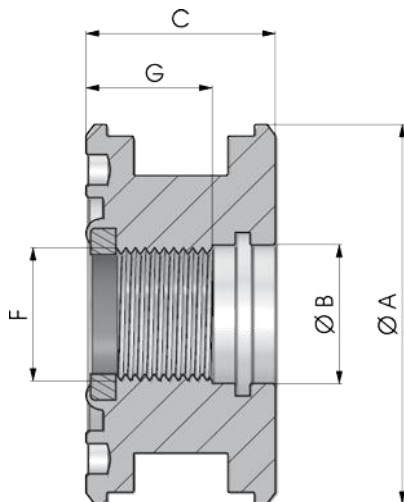
COD.	A	B	C	D
NBPB00040015	40	15	27	5
NBPB00050021	50	21	30	5
NBPB00060025	60	25	35	5
NBPB00063025	63	25	35	5
NBPB00065025	65	25	35	5
NBPB00070025	70	25	35	5
NBPB00080028	80	28	40	6
NBPB00090035	90	35	40	6
NBPB00100035	100	35	40	6



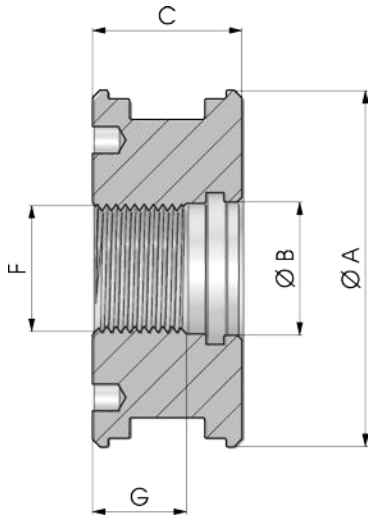
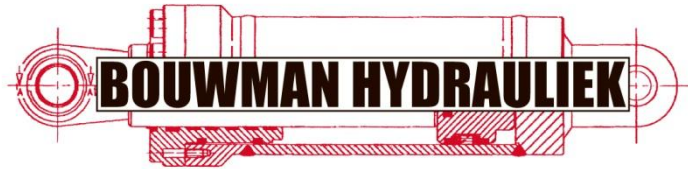
COD.	A	B	C	f	G
NBP000180080	180	82.1	82	M80X2	70
NBP000200080	200	82.1	82	M80X2	70
NBP000220098	220	101.1	82	M98X2	70
NBP000250098	250	101.1	82	M98X2	70



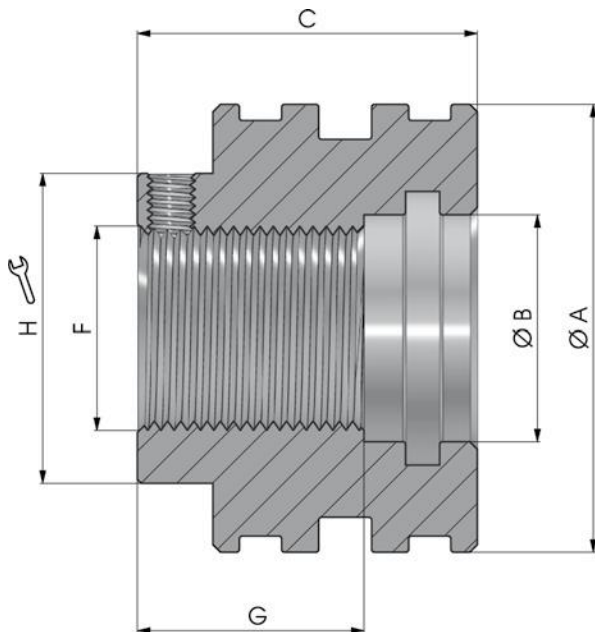
NEW COD.	A	B	C	f	G
NBPf00251015	25	11	25	M10X1.5	17.5
NBPf00301215	30	13	25	M12X1.5	17.5
NBPf00321215	32	13	33	M12X1.5	25.5
NBPf00351415	35	17	33	M14X1.5	23
NBPf00401615	40	17	40	M16X1.5	30
NBPf00502015	50	21	40	M20X1.5	28
NBPf00602420	60	25	45	M24X2	30
NBPf00632420	63	25	45	M24X2	30
NBPf00652420	65	25	45	M24X2	30
NBPf00702420	70	25	45	M24X2	30
NBPf00802720	80	28	45	M27X2	30
• NBPf00803020	80	33	45	M30x2	30
NBPf00903320	90	35	50	M33X2	35
NBPf01003320	100	35	50	M33X2	35
NBPf01103930	110	42	50	M39X3	35
NBPf01204230	120	45	50	M42X3	35
NBPf01254230	125	45	50	M42X3	35
NBPf01404830	140	51	58	M48X3	40
NBPf01504830	150	51	58	M48X3	40
NBPf01505230	150	54	58	M52X3	40
NBPf01605230	160	54	58	M52X3	40



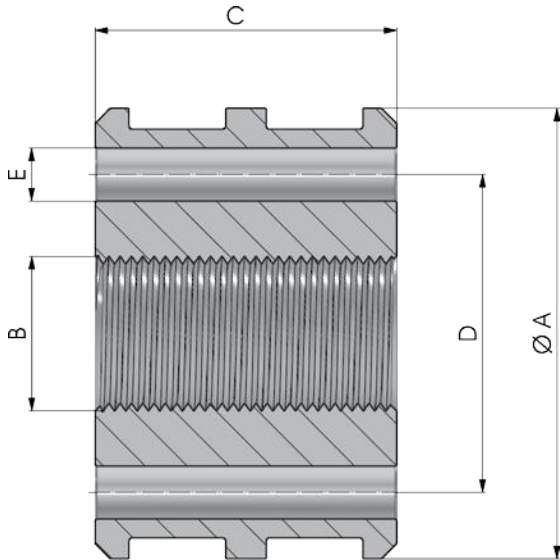
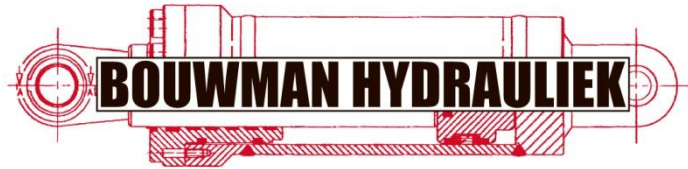
NEW COD.	A	B	C	f	G
• NBPf0351415B*	35	17	33	M14X1.5	23
• NBPf0401615B*	40	17	40	M16X1.5	30
• NBPf0502015B*	50	21	40	M20X1.5	28
• NBPf0602420B*	60	25	45	M24X2	30
• NBPf0632420B*	63	25	45	M24X2	30
• NBPf0652420B*	65	25	45	M24X2	30
• NBPf0702420B*	70	25	45	M24X2	30
• NBPf0802720B*	80	28	45	M27X2	30
• NBPf0803020B*	80	33	45	M30X2	30
• NBPf0903320B*	90	35	50	M33X2	35
• NBPf1003320B*	100	35	50	M33X2	35



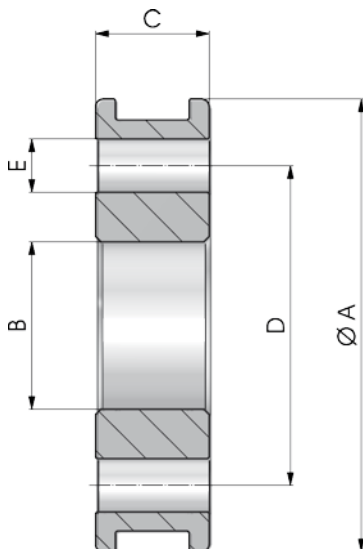
COD.	A	B	C	f	G	G
NBPBf0040M16	40	17	27	M16X1.5	19	
NBPBf0050M20	50	21	30	M20X1.5	21	
NBPBf0060M24	60	25	35	M24X2	24	
NBPBf0063M24	63	25	35	M24X2	24	
NBPBf0065M24	65	25	35	M24X2	24	
NBPBf0070M24	70	25	35	M24X2	24	
NBPBf0080M27	80	28	40	M27X2	26	
NBPBf0090M33	90	35	40	M33X2	26	
NBPBf0100M33	100	35	40	M33X2	26	



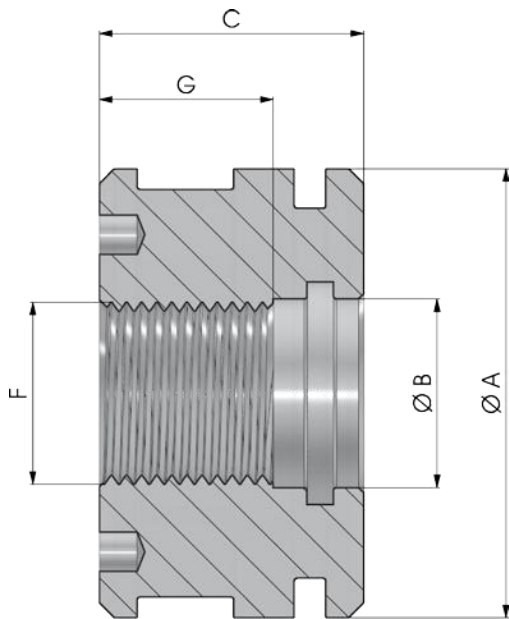
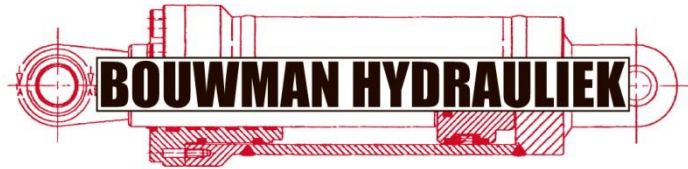
COD.	A	B	C	f	G	h
NBPP050021040*	50	21	40	M20X1.5	28	36
NBPP060025045*	60	25	45	M24x2	30	41
NBPP060030045*	60	30	45	M27X2	30	41
NBPP063030045*	63	30	45	M27X2	30	41
NBPP070040056*	70	40	56	M30X2	41	50
NBPP080040056*	80	40	56	M30X2	41	50
NBPP090038055*	90	38	55	M36X3	40	64
NBPP090040056*	90	40	56	M36X3	41	64
NBPP100035056*	100	35	56	M33x2	41	64
NBPP100045056*	100	45	56	M42X2	41	64
NBPP110050070*	110	50	70	M48X3	55	75
NBPP120045070*	120	45	70	M42x2	55	75
NBPP120050070*	120	50	70	M48X3	55	75
NBPP125050070*	125	51	70	M48X3	55	75
NBPP140050075*	140	50	75	M48X3	57	75
NBPP150056080*	150	56	80	M52X3	60	80
NBPP160056080*	160	56	80	M52X3	60	80
NBPP180085090*	180	85	90	M80X2	65	110
NBPP200085090*	200	85	90	M80X2	65	110
NBPP220085090*	220	85	90	M80X2	65	110
NBPP250104100*	250	104	100	M98X2	75	135



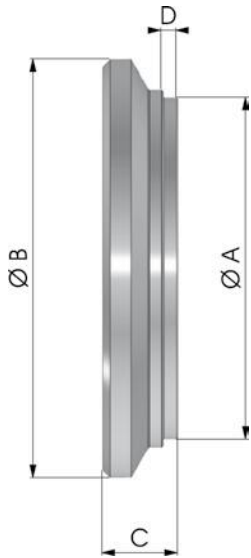
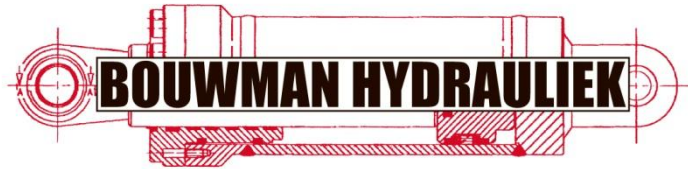
COD.	A	B	C	D	E
NBPfT0301215	30	M12x1.5	35	20	Ø 3.5X3
NBPfT0351415	35	M14x1.5	35	23	Ø 4.5X3
NBPfT0401415	40	M14x1.5	35	27	Ø 4.5X3
NBPfT0451615	45	M16x1.5	35	31	Ø 4.5X3
NBPfT0502015	50	M20x1.5	35	34	Ø 6X3
NBPfT0552015	55	M20x1.5	40	38	Ø 6X3
NBPfT0602015	60	M20x1.5	40	42	Ø 7X3
NBPfT0702420	70	M24x2	45	50	Ø 8.5X3
NBPfT0802720	80	M27X2	45	60	Ø 8.5X3
NBPfT0852720	85	M27X2	45	65	Ø 8.5X3
NBPfT0903320	90	M33X2	50	68	Ø 7.5X5
NBPfT1003320	100	M33X2	50	76	Ø 9X5
NBPfT1103930	110	M39X3	55	86	Ø 9X5
NBPfT1203930	120	M39X3	55	93	Ø 11X5



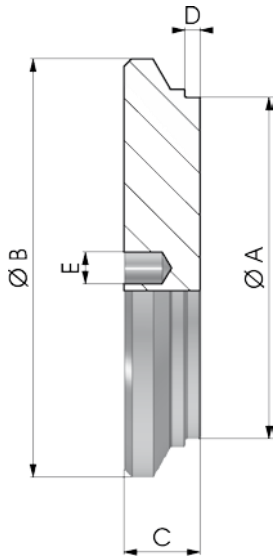
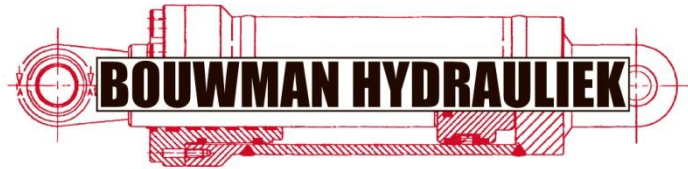
NEW COD.	A	B	C	D	E
• NBPBT0003012	30	12	14	20	Ø 3.5X3
• NBPBT0003514	35	14	14	23	Ø 4.5X3
• NBPBT0004014	40	14	14	27	Ø 4.5X3
• NBPBT0004516	45	16	14	31	Ø 4.5X3
• NBPBT0005020	50	20	14	34	Ø 6X3
• NBPBT0005520	55	20	18	38	Ø 6X3
• NBPBT0006020	60	20	18	42	Ø 7X3
• NBPBT0007024	70	24	18	50	Ø 8.5X3
• NBPBT0008027	80	27	18	60	Ø 8.5X3
• NBPBT0008527	85	27	18	65	Ø 8.5X3
• NBPBT0009033	90	33	18	68	Ø 7.5X5
• NBPBT0010033	100	33	18	76	Ø 9X5
• NBPBT0011039	110	39	18	86	Ø 9X5
• NBPBT0012039	120	39	18	93	Ø 11X5



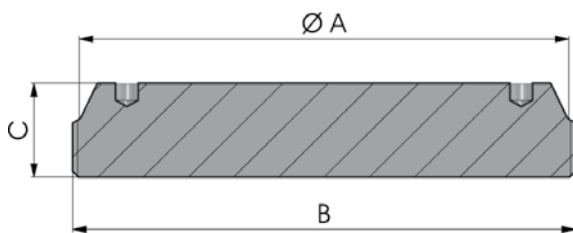
COD.	A	B	C	f	G
NBPfG0401615	40	17	30	M16X1,5	20
NBPfG0501615	50	17	30	M16X1,5	20
NBPfG0602420	60	25	35	M24X2	23
NBPfG0632420	63	25	35	M24X2	23
NBPfG0652420	65	25	35	M24X2	23
NBPfG0702420	70	25	35	M24X2	23
NBPfG0802720	80	28	40	M27X2	28
NBPfG0903320	90	35	45	M33X2	30
NBPfG1003320	100	35	45	M33X2	30



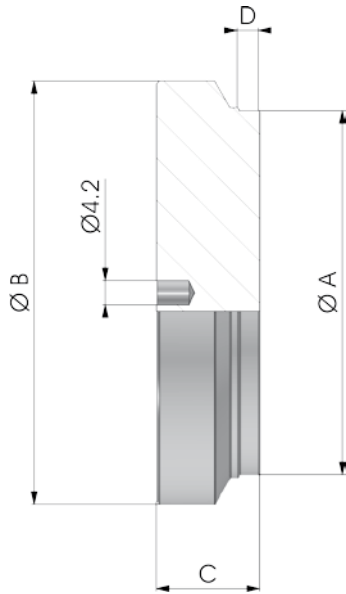
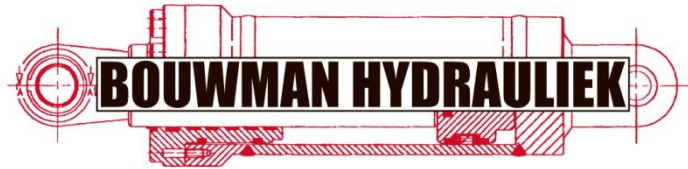
NEW COD.	A	B	C	D
NBf000025035	25	35	7	2
NBf000030040	30	40	8	2
NBf000032042	32	42	8	2
NBf000035045	35	45	10	2
NBf000040050	40	50	10	2
NBf000045055	45	55	10	2
NBf000050060	50	60	10	2
NBf000055065	55	65	12	2
NBf000060070	60	70	12	2
NBf000063073	63	73	12	2
NBf000065075	65	75	12	2
NBf000065080	65	80	12	2
NBf000070080	70	80	12	2
NBf000070085	70	85	12	2
NBf000075090	75	90	12	2
NBf000080090	80	90	12	2
NBf000080092	80	92	12	2
NBf000080095	80	95	12	2
NBf000085100	85	100	15	2
• NBf000090102	90	102	15	2
NBf000090105	90	105	15	2
NBf000100115	100	115	15	2
NBf000110125	110	125	15	2
NBf000110130	110	130	15	2
NBf000120140	120	140	18	2
NBf000125145	125	145	18	2
NBf000140160	140	160	18	2
NBf000150170	150	170	20	2
NBf000160180	160	180	20	2



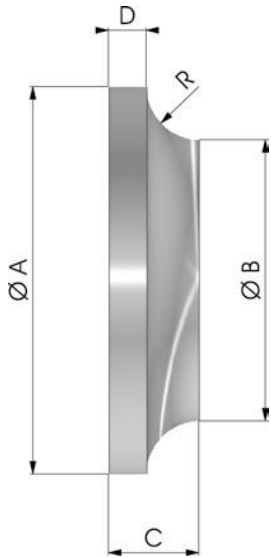
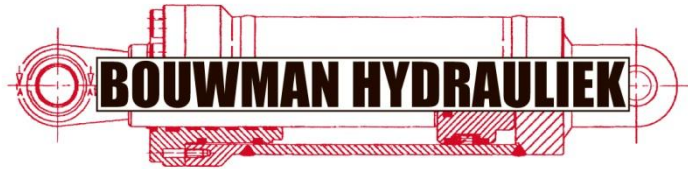
COD.	A	B	C	D	E
NBfC00025035	25	35	7	2	3.2X3
NBfC00030040	30	40	8	2	4.2X4
NBfC00032042	32	42	8	2	4.2X4
NBfC00035045	35	45	10	2	4.2X5
NBfC00040050	40	50	10	2	4.2X5
NBfC00045055	45	55	10	2	4.2X5
NBfC00050060	50	60	10	2	4.2X5
NBfC00055065	55	65	12	2	4.2X6
NBfC00060070	60	70	12	2	4.2X6
NBfC00063073	63	73	12	2	4.2X6
NBfC00065075	65	75	12	2	4.2X6
NBfC00065080	65	80	12	2	4.2X6
NBfC00070080	70	80	12	2	4.2X6
NBfC00070085	70	85	12	2	4.2X6
NBfC00075090	75	90	12	2	4.2X6
NBfC00080090	80	90	12	2	4.2X6
NBfC00080092	80	92	12	2	4.2X6
NBfC00080095	80	95	12	2	4.2X6
NBfC00085100	85	100	15	2	4.2X6
NBfC00090105	90	105	15	2	4.2X6
NBfC00100115	100	115	15	2	4.2X6



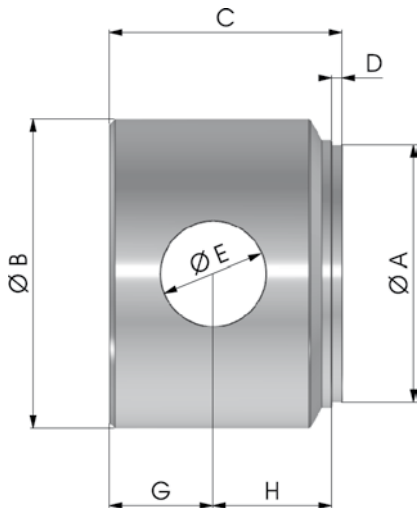
COD.	A	B	C
NBf000180185	180	M185X2.5	35
NBf000200205	200	M205X2.5	48
NBf000220225	220	M225X2.5	48
NBf000250255	250	M255X2.5	48



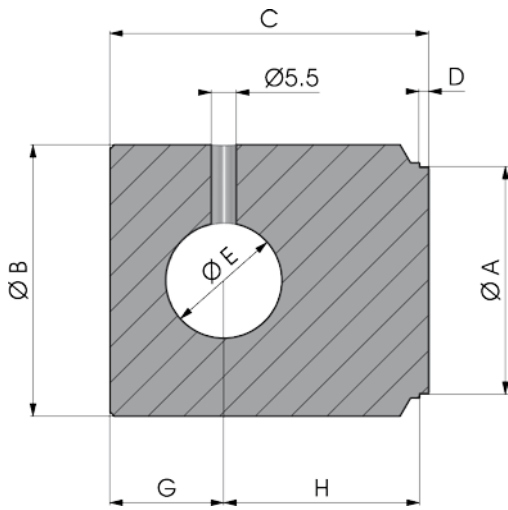
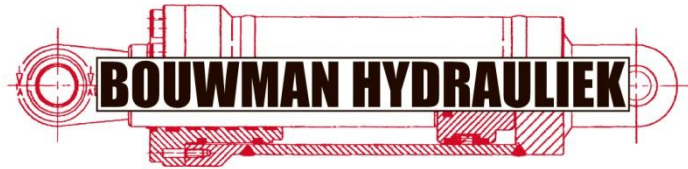
COD.	A	B	C	D
NBfP050060017	50	60	17	4
NBfP050065018	50	65	18	4
NBfP060070019	60	70	19	4
NBfP060075019	60	75	19	4
NBfP063078022	63	78	22	4
NBfP070080022	70	80	22	4
NBfP070085022	70	85	22	4
NBfP075090022	75	90	22	4
NBfP080095025	80	95	25	4
NBfP080100025	80	100	25	4
NBfP085100025	85	100	25	4
NBfP090105026	90	105	26	4
NBfP090110026	90	110	26	4
NBfP100115030	100	115	30	4
NBfP100120030	100	120	30	4
NBfP110125031	110	125	31	7
NBfP110130031	110	130	31	7
NBfP120140034	120	140	34	7
NBfP125145035	125	145	35	7
NBfP140160040	140	160	40	7
NBfP140170040	140	170	40	7
NBfP150170042	150	170	42	7
NBfP160180045	160	180	45	7
NBfP160190045	160	190	45	10



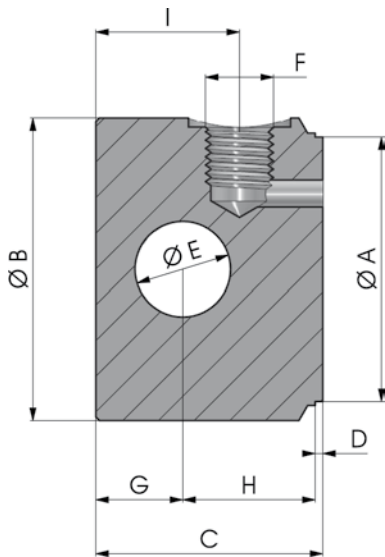
COD.	A	B	C	D	R
NBfIR0410012	41	27	12	5	7
NBfIR0510012	51	37	12	5	7
NBfIR0610015	61	45	15	7	8
NBfIR0640015	64	48	15	7	8
NBfIR0660015	66	50	15	7	8
NBfIR0710015	71	56	15	7.5	7.5
NBfIR0810017	81	65	17	9	8
NBfIR0910017	91	75	17	9	8
NBfIR1010020	101	81	20	10	10



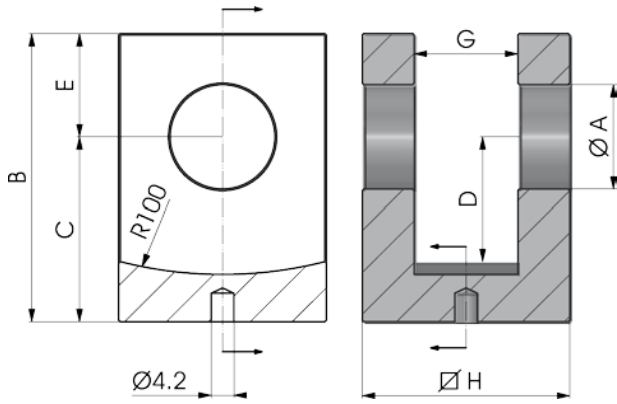
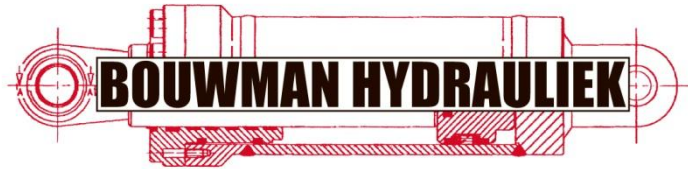
COD.	A	B	C	D	E	G	h
NBff04005016	40	50	35	2	16.2	15	18
NBff05006020	50	60	45	2	20.25	20	23
NBff06007025	60	70	50	2	25.25	22.5	25.5
NBff06307325	63	73	50	2	25.25	22.5	25.5
NBff06307525	63	75	50	2	25.25	22.5	25.5
NBff07008025	70	80	50	2	25.25	22.5	25.5
NBff08009530	80	95	60	2	30.25	25	33
NBff10011535	100	115	70	2	35.25	30	38



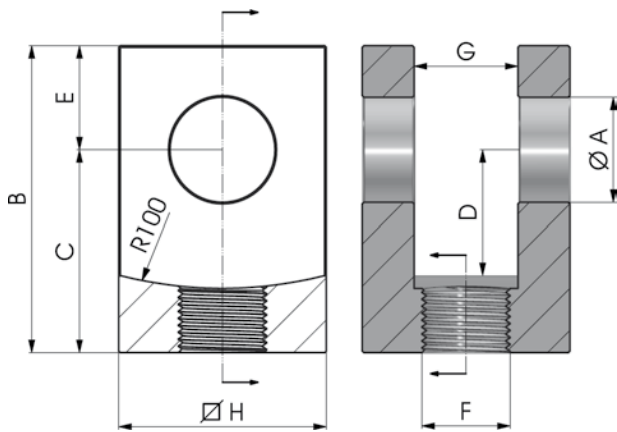
COD.	A	B	C	D	E	G	h
NBffL0035025	25	35	30	2	12.1	12	16
NBffL0040032	32	40	40	2	16	17	21
NBffL0050040	40	50	49	2	20.5	19	28
NBffL0060050	50	60	70	2	25.5	25	43
NBffL0070060	60	70	52	2	25.5	25	25
NBffL0080070	70	80	62	2	30.5	25	35
NBffL0090080	80	90	62	2	30.5	25	35
NBffL0115100	100	115	70	2	30.5	34	34



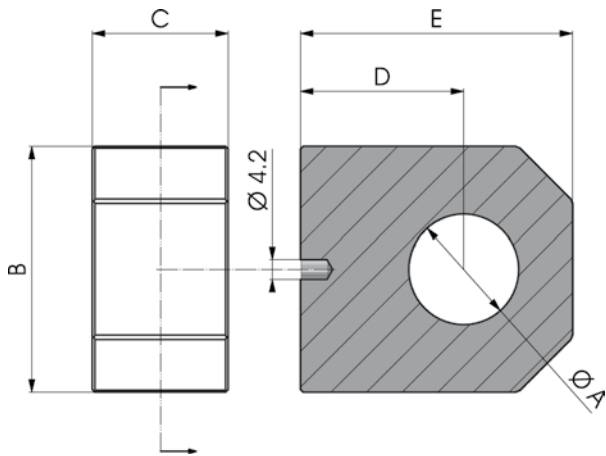
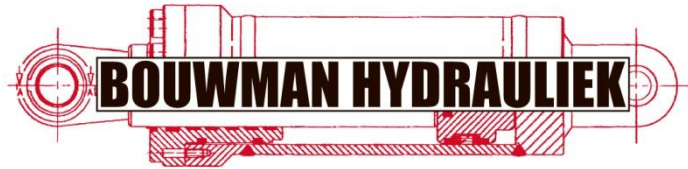
COD.	A	B	C	D	E	f	G	h	I
NBffE0400500	40	50	50	2	16.2	1/4"	15	33	30
NBffE0500600	50	60	60	2	20.25	3/8"	20	38	38
NBffE0600700	60	70	60	2	25.25	3/8"	23	35	38
NBffE0700800	70	80	60	2	25.25	3/8"	23	35	38
NBffE0800950	80	95	75	2	30.25	1/2"	25	48	47
NBffE1001150	100	115	75	2	35.25	1/2"	30	43	47



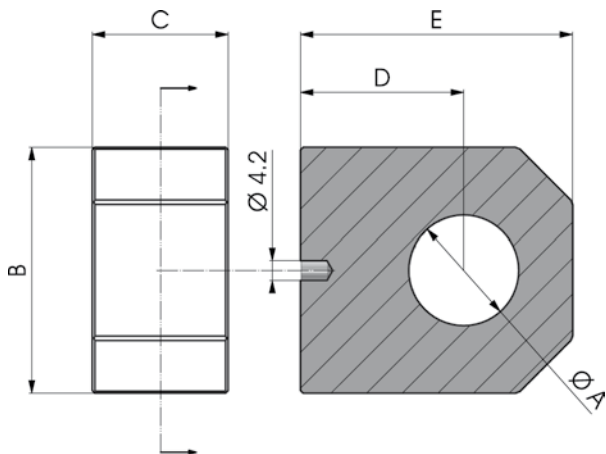
COD.	A	B	C	D	E	G	h
NBfS00000016	16.2	50	34	24	16	16	35
NBfS00000020	20.25	60	40	30	20	20	40
NBfS00000025	25.25	70	45	30	25	25	50



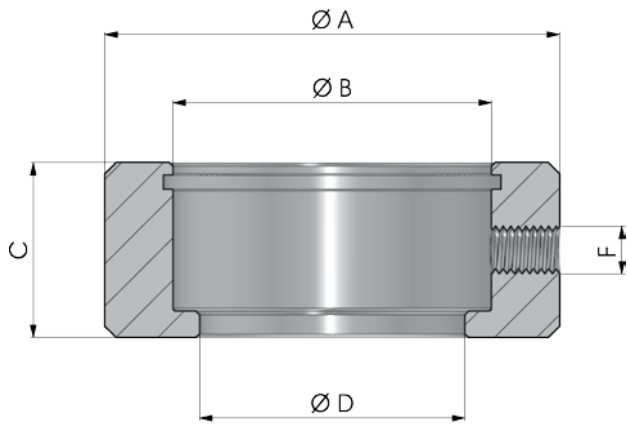
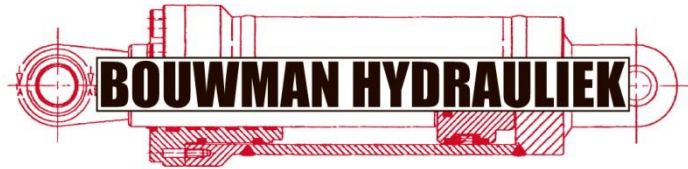
COD.	A	B	C	D	E	f	G	h
NBffIL161615	16.2	55	39	24	16	M16X1.5	16	35
NBffIL202015	20.25	65	45	30	20	M20X1.5	20	40
NBffIL252420	25.25	75	50	30	25	M24X2	25	50



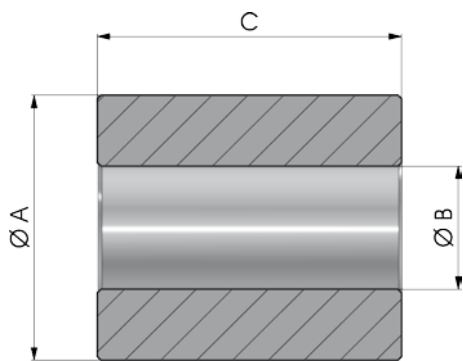
COD.	A	B	C	D	E
NBAfSf000016	16.2	35	16	25	42
NBAfSf000020	20.2	40	20	30	50
NBAfSf000025	25.2	50	25	35	60
NBAfSf000030	30.2	60	30	45	75
NBAfSf000035	35.2	70	35	55	90
NBAfSf000040	40.2	80	40	60	95



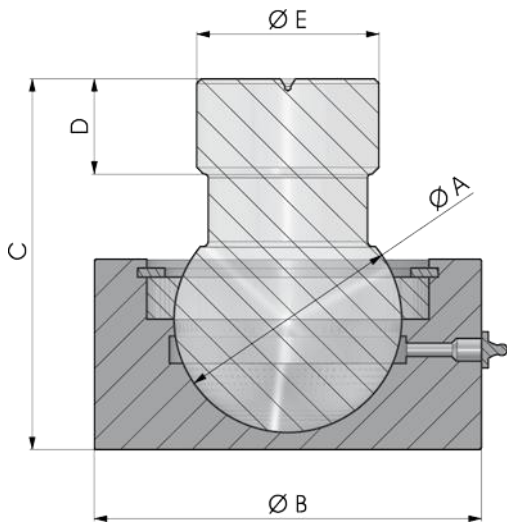
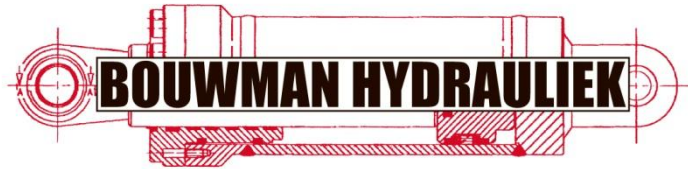
COD.	A	B	C	D	E
NBAfS0000016	16,2	35	20	25	42
NBAfS0000020	20,2	45	25	30	50
NBAfS0000025	25,2	50	30	35	60
NBAfS0000030	30,2	60	35	45	75
NBAfS0000035	35,2	70	40	55	90
NBAfS0000040	40,2	70	40	60	95



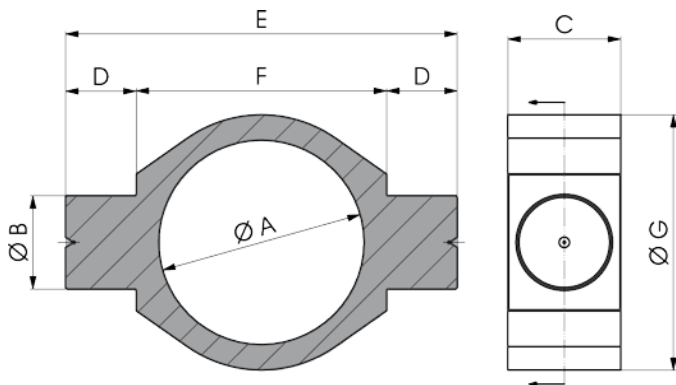
COD.	A	B	C	D	f
NBANGE0401515	40	26	15	22	M6
NBANGE0501920	50	35	19	29	M6
NBANGE0602325	60	42	23	35	M6
NBANGE0702830	70	47	28	40	M6
NBANGE0853035	85	55	30	47	M6
NBANGE0953540	95	62	35	53	M6
NBANGE1104045	110	68	40	59	M6
NBANGE1204050	120	75	40	66	M6
NBANGE1385060	138	90	50	80	M6



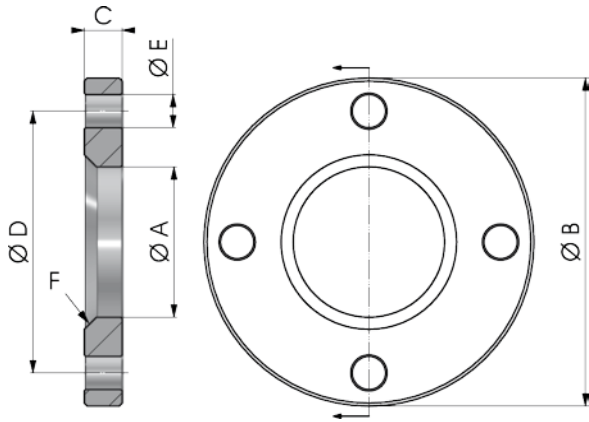
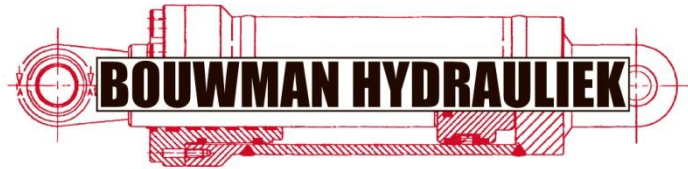
COD.	A	B	C
NBBS16035030	35	16.25	30
NBBS16035060	35	16.25	60
NBBS20040040	40	20.25	40
NBBS20040070	40	20.25	70
NBBS25050050	50	25.25	50
NBBS25050080	50	25.25	80
NBBS25050090	50	25.25	90
NBBS30060060	60	30.25	60
NBBS30060110	60	30.25	110
NBBS40070070	70	40.25	70
NBBS40070130	70	40.25	130



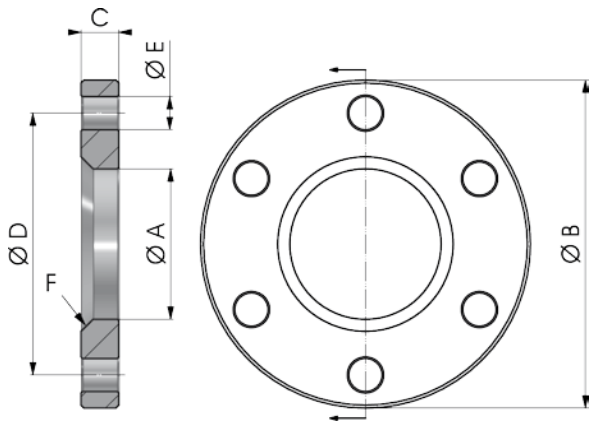
COD.	A	B	C	D	E
NBBAOS050000*	50	85	82	20	40
NBBAOS060000*	60	98	100	25	50
NBBAOS070000*	70	105	115	30	60



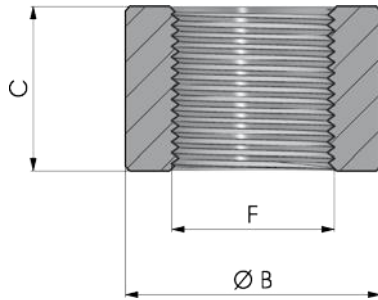
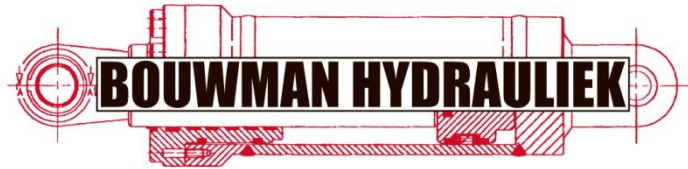
COD.	A	B	C	D	E	f	G
NBPEBAS040	40	15	25	17,5	95	60	52
NBPEBAS050	50	20	30	20	110	70	65
NBPEBAS060	60	25	35	25	130	80	75
NBPEBAS070	70	30	45	30	160	100	90
NBPEBAS080	80	35	50	35	180	110	100
NBPEBAS092	92	40	55	40	195	115	115
NBPEBAS095	95	40	55	40	195	115	115
NBPEBAS105	105	45	60	45	215	125	125
NBPEBAS115	115	50	70	50	245	145	145
NBPEBAS140	140	60	80	60	290	170	170
NBPEBAS160	160	70	88	55	305	195	187



COD.	A	B	C	D	E	f
NBfLA0109050	50	109	12,5	87	4xØ11	4x45°
NBfLA0128060	60	128	14,5	105	4xØ13	4x45°
NBfLA0142070	70	142	16,5	117	4xØ13	5x45°
NBfLA0162080	80	162	16,5	127	4xØ15	5x45°

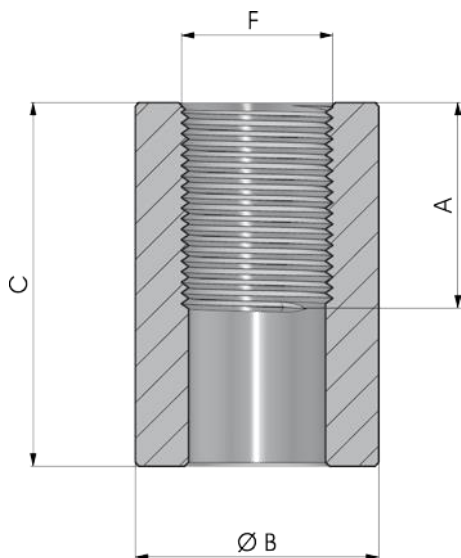


COD.	A	B	C	D	E	f
NBfLA0181092	92	181	18,5	149	6xØ17	7x45°
NBfLA0181095	95	181	18,5	149	6xØ17	7x45°
NBfLA0194115	115	194	24,5	162	6xØ17	8x45°



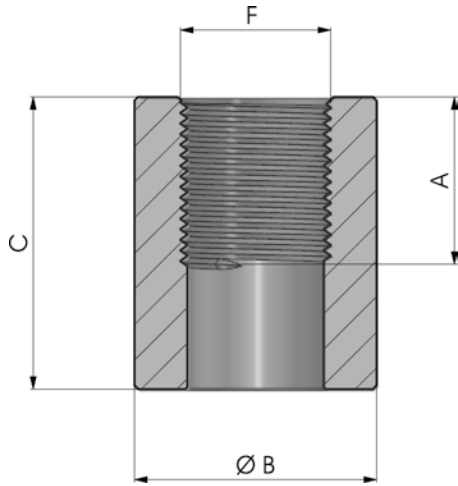
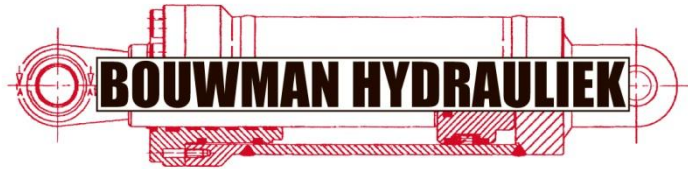
COD.	f	B	C
NBBORSG1/8	1/8"	19	16
NBBORSG1/4	1/4"	22/24	16
NBBORSG3/8	3/8"	26	17
NBBORSG1/2	1/2"	30	18.3
NBBORSG3/4	3/4"	36	20.4
NBBORSG1	1"	46	24.5

COD.	f	B	C
NBBORSM1415	M14X1.5	22	14
NBBORSM1615	M16X1.5	24	14
NBBORSM1815	M18X1.5	28	18
NBBORSM2015	M20X1.5	30	18
NBBORSM2215	M22X1.5	30	18.5



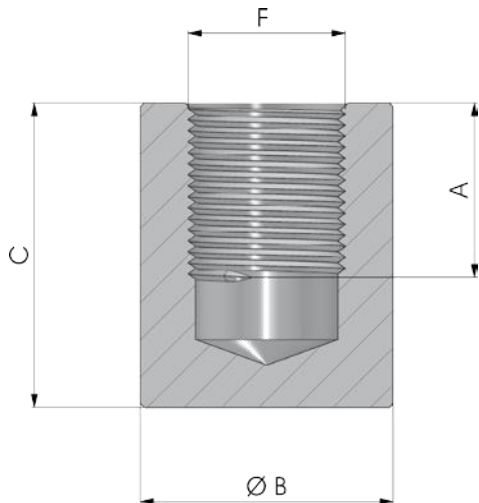
COD.	f	C	B	A
NBBORSPLG1/4	1/4"	40	22	28
NBBORSPLG3/8	3/8"	42	26	30
NBBORSPLG1/2	1/2"	50	30	35

NEW COD.	f	C	B	A
• NBBORSPLM16	M16X1.5	40	22	28
• NBBORSPLM18	M18X1.5	42	26	30
• NBBORSPLM22	M22X1.5	50	30	35



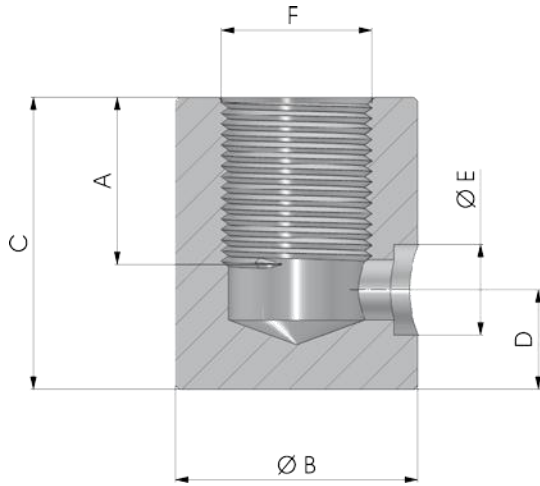
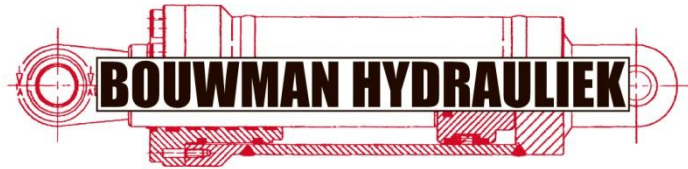
NEW COD.	f	C	B	A
• NBBORSPG1/4	1/4"	30	22	14
• NBBORSPG3/8	3/8"	35	26	16
• NBBORSPG1/2	1/2"	35	30	18

NEW COD.	f	C	B	A
• NBBORSPM16	M16X1.5	30	22	14
• NBBORSPM18	M18X1.5	35	26	16
• NBBORSPM22	M22X1.5	35	30	18



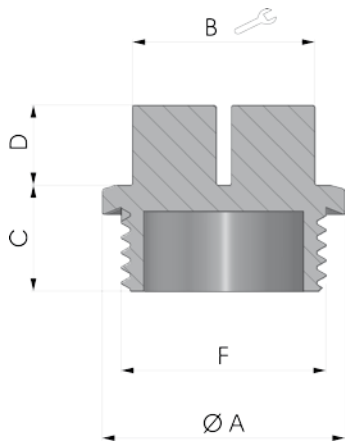
COD.	f	C	B	A
NBBORSCLG1/4	1/4"	30	22	14
NBBORSCLG3/8	3/8"	35	26	16
NBBORSCLG1/2	1/2"	35	30	18

NEW COD.	f	C	B	A
• NBBORSCLM16	M16X1.5	30	22	14
• NBBORSCLM18	M18X1.5	35	26	16
• NBBORSCLM22	M22X1.5	35	30	18



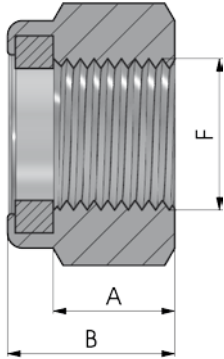
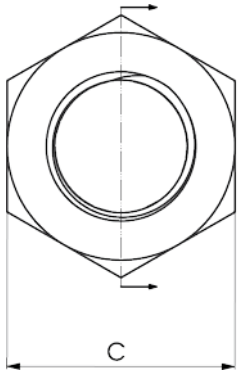
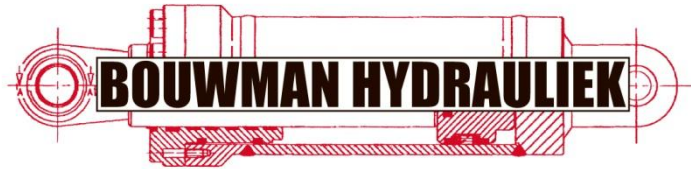
COD.	F	C	B	A	D	E
NBBORSCTG1/4	1/4"	30	22	14	11	10.5
NBBORSCTG3/8	3/8"	35	26	16	12	12.5
NBBORSCTG1/2	1/2"	35	30	18	13	15.5

NEW COD.	F	C	B	A	D	E
• NBBORSCTM16	M16X1.5	30	22	14	11	10.5
• NBBORSCTM18	M18X1.5	35	26	16	12	12.5
• NBBORSCTM22	M22X1.5	35	30	18	13	15.5

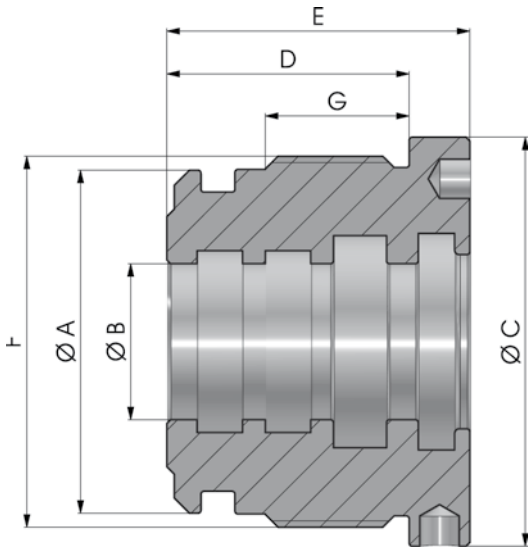
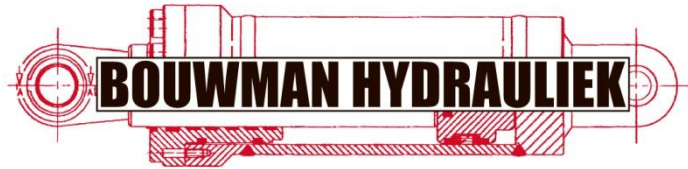


NEW COD.	F	A	B	C	D
• NBTFFPLG1/8*	1/8"	17	13	11	8
• NBTFFPLG1/4*	1/4"	19	13	10	8
• NBTFFPLG3/8*	3/8"	22	17	11	9
• NBTFFPLG1/2*	1/2"	27	19	14	11
• NBTFFPLG3/4*	3/4"	32	24	14	11
• NBTFFPLG1*	1"	40	27	18	11

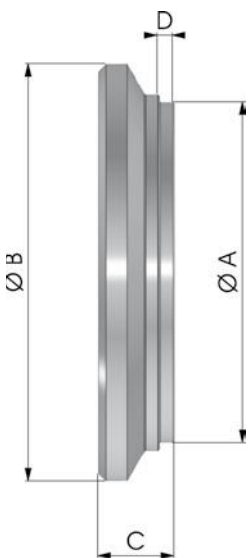
NEW COD.	F	A	B	C	D
• NBTFFPLM1415*	M14X1.5	19	13	12	8
• NBTFFPLM1615*	M16X1.5	22	17	12	8
• NBTFFPLM1815*	M18X1.5	24	17	12	9
• NBTFFPLM2015*	M20X1.5	26	19	12	12
• NBTFFPLM2215*	M22X1.5	27	19	12	12



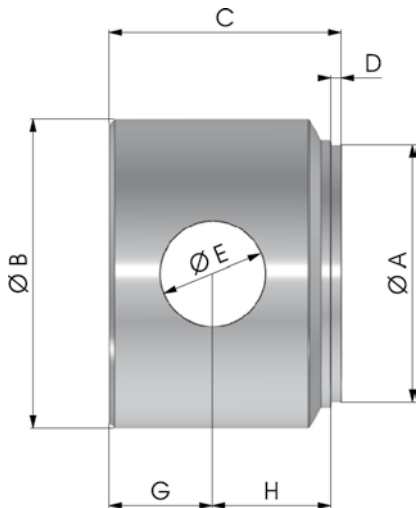
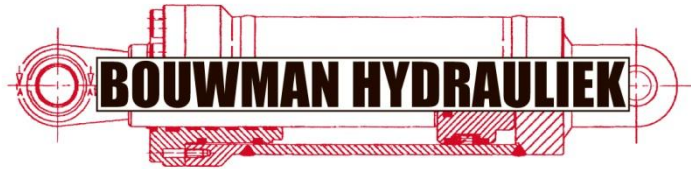
COD.	A	B	C	f
NBDAA0001215	9.6	14.8	19	M12X1.5
NBDAA0001415	11.2	16.6	22	M14X1.5
NBDAA0001615	12.8	18	24	M16X1.5
NBDAA0002015	16	23	30	M20X1.5
NBDAA0002420	19.2	28	36	M24X2
NBDAA0002720	21.6	30.8	41	M27X2
NBDAA0003320	26.4	36	50	M33X2
NBDAA0003930	31.2	42	60	M39X3
NBDAA0004830	40	52	75	M48X3



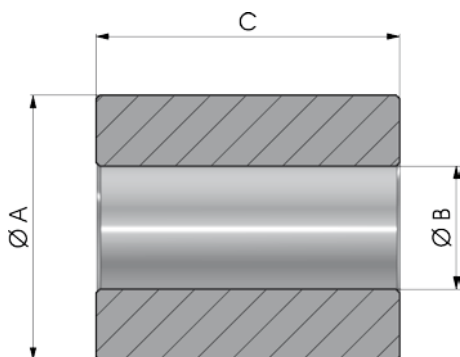
COD.	A	B	C	D	E	f	G
NBTI05004020	40	20	49	32	40	M44x1,5	19
NBTI05004025	40	25	49	32	40	M44x1,5	19
NBTI06005025	50	25	59	35	43	M54x1,5	22
NBTI06005030	50	30	59	35	43	M54x1,5	22
NBTI07006030	60	30	69	40	50	M64x1,5	27
NBTI07006035	60	35	69	40	50	M64x1,5	27
NBTI07006040	60	40	69	40	50	M64x1,5	27
NBTI08007035	70	35	79	40	50	M74x1,5	27
NBTI08007040	70	40	79	40	50	M74x1,5	27
NBTI09508040	80	40	94	50	60	M85x2	33
NBTI09508050	80	50	94	50	60	M85x2	33



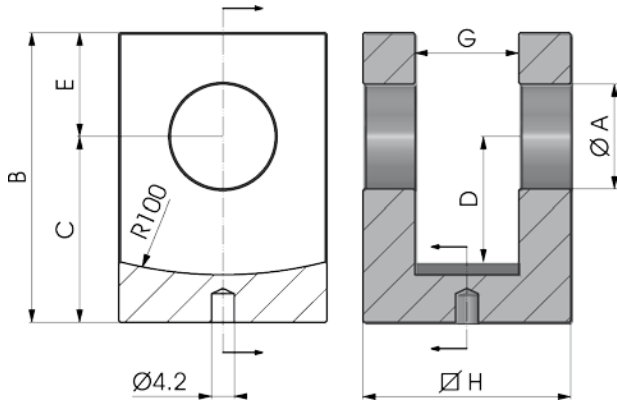
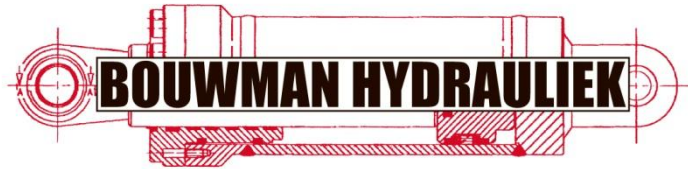
COD.	A	B	C	D
NBfi00040050	40	50	10	2
NBfi00050060	50	60	10	2
NBfi00060070	60	70	12	2
NBfi00070080	70	80	12	2
NBfi00080095	80	95	12	2



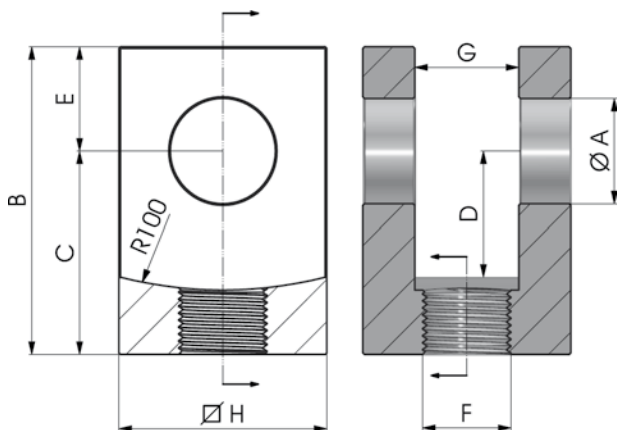
COD.	A	B	C	D	E	G	h
NBffI04005016	40	50	35	2	16.2	15	18
NBffI05006020	50	60	45	2	20.2	20	23
NBffI06007025	60	70	50	2	25.2	22.5	25.5
NBffI07008025	70	80	50	2	25.2	22.5	25.5
NBffI08009530	80	95	60	2	30.2	25	33



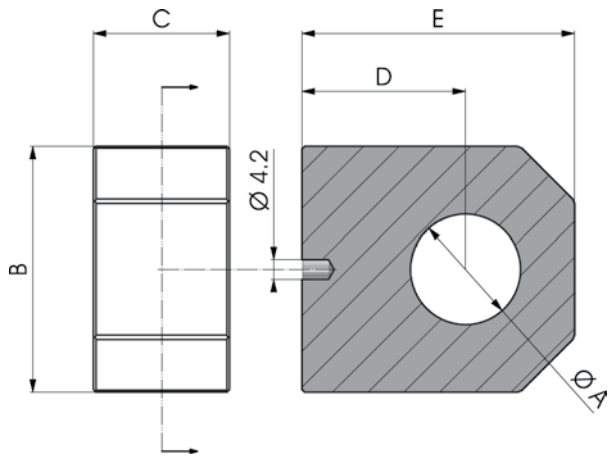
COD.	A	B	C
NBBSI16035030	35	16.25	30
NBBSI20040040	40	20.25	40
NBBSI25050050	50	25.25	50
NBBSI30060060	60	30.25	60



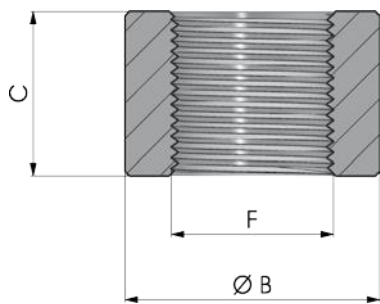
COD.	A	B	C	D	E	G	h
NBfSI0000016	16.2	50	34	24	16	16	35
NBfSI0000020	20.25	60	40	30	20	20	40
NBfSI0000025	25.25	70	45	30	25	25	50



COD.	A	B	C	D	E	f	G	h
NBffILI161615	16.2	55	39	24	16	M16X1.5	16	35
NBffILI202015	20.25	65	45	30	20	M20X1.5	20	40
NBffILI252420	25.25	75	50	30	25	M24X2	25	50



COD.	A	B	C	D	E
NBAfSI000016	16.2	35	20	25	42
NBAfSI000020	20.2	45	25	30	50
NBAfSI000025	25.2	50	30	35	60
NBAfSI000030	30.2	60	35	45	75
NBAfSI000035	35.2	70	40	55	90
NBAfSI000040	40.2	70	40	60	95



COD.	f	B	C
NBBORSGI1/8	1/8"	19	16
NBBORSGI1/4	1/4"	22	16
NBBORSGI3/8	3/8"	26	17
NBBORSGI1/2	1/2"	30	18.3